
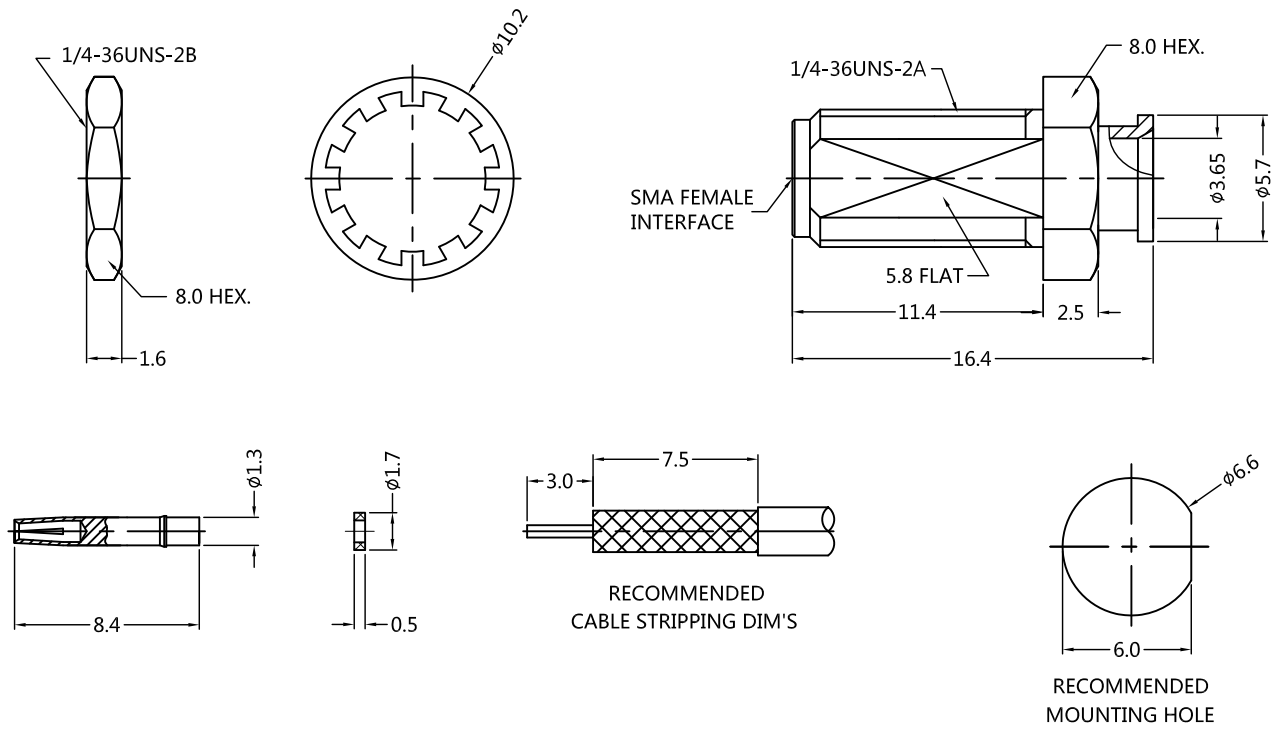


REV.	DESCRIPTION	ECN NO.	NAME	DATE	 ALL PARTS MUST MEET TO RoHS REQUIREMENTS
A	FIRST EDITION	N/A	Flame	2016-07-20	
A1	UPDATE DRAWING	N/A	QGZ	2020-07-08	

REMARKS:  
1. CONTACT PIN TO SOLDER



MATERIALS AND PLATING		UNIT: MICRO-INCHES
BODY	BRASS C3604	GOLD/NICKEL/COPPER
CONTACT PIN	Be-Cu C17300	GOLD/NICKEL /COPPER
INSULATOR	PTFE ASTM-D-1710	N/A

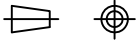
ELECTRICAL CHARACTERISTICS		
IMPEDANCE	50 Ω	
VOLTAGE RATING	335 V(rms)	
FREQUENCY RANGE	0 ~ 6 GHz	
DIELECTRIC WITHSTANDING VOLTAGE	> 500 V	
CONTACT RESISTANCE	CENTER CONTACT	< 3.0 mΩ
	OUTER CONTACT	< 2.0 mΩ
INSULATION RESISTANCE	> 5000 MΩ	
INSERTION LOSS	< 0.1x√(F GHz) dB	
VSWR	< 1.3 @ DC ~ 6 GHz	
3RD INTERMODULATION	N/A	

MECHANICAL CHARACTERISTICS	
FORCE TO ENGAGE AND DISENGAGE	N/A
CENTER CONTACT RETENTION FORCE	N/A
RECOMMENDED COUPLING TORQUE	N/A
COUPLING NUT RETENTION FORCE	N/A
DURABILITY	> 500cycles

ENVIRONMENTAL PARAMETER	
TEMPERATURE RANGE	-40 °C ~ +125 °C
THERMAL SHOCK	MIL- STD 202, Meth. 107, Cond. B
VIBRATION	MIL- STD 202, Meth. 204, Cond. D
SHOCK	MIL- STD 202, Meth. 213, Cond. I

**\* CUSTOMER OUTLINE DRAWING**

UNLESS OTHERWISE SPECIFIED:  
 1) EDGES : C0.15 MAX ;  
 2) REMOVE ALL BURRS ;  
 3) SURFACE ROUGHNESS : Ra1.6 ;  
 4) UNITS : mm ;  
 5) DIMENSIONS TOLERANCES  
 DECIMALS : .x ±0.3 .xx ±0.2 .xxx ±0.1;  
 ANGLES : ± 5°.

THIRD ANGLE PROJECTION		
APPROVED :	CUSTOMER P/N :	
CHECKED :	SCALE :	
DRAWING :	DATE :	
PAGE : 1/1		



TITLE : SMA FEMALE S/T FOR TFlex-402, 50Ω  
 DRAWING NO. : 5MAF15S-A81-003  
 COMPANY WEBSITE : www.slkcorp.com

CUSTOMER OUTLINE DRAWING