
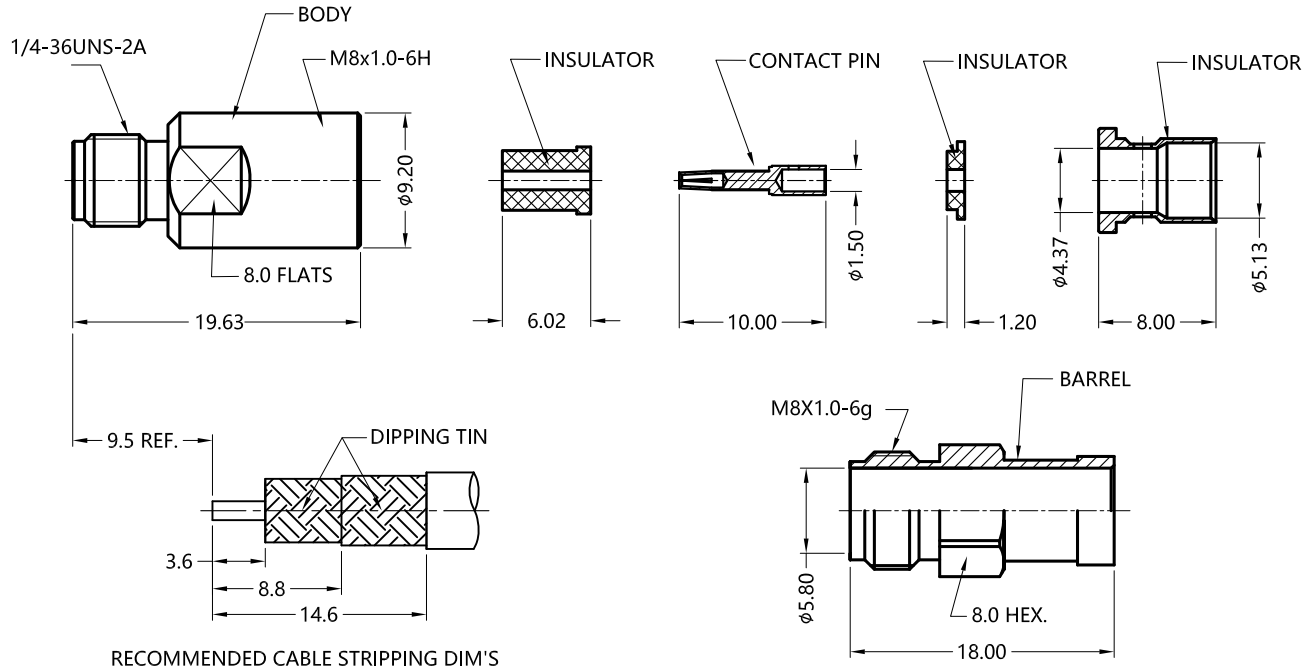


REV.	DESCRIPTION	ECN NO.	NAME	DATE	 ALL PARTS MUST MEET TO RoHS REQUIREMENTS
0	FIRST EDITION	N/A	Liu	2020-12-16	

REMARKS:

1. CONTACT PIN & FERRULE TO SOLDER

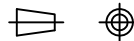


MATERIALS AND PLATING UNIT: MICRO-INCHES			ELECTRICAL CHARACTERISTICS	
PART NAME	MATERIALS	PLATING		
BODY	STAINLESS STEEL	PASSIVATION	IMPEDANCE	50 Ω
INSULATOR	PTFE ASTM-D-1710	N/A	VOLTAGE RATING	165 V(rms)
CONTACT PIN	Be-Cu C17300	GOLD 50 u"/COPPER	FREQUENCY RANGE	0 ~ 18 GHz
FERRULE	BRASS C3604	GOLD 10 u"/NICKEL/COPPER	DIELECTRIC WITHSTANDING VOLTAGE	>500 V
BARREL	STAINLESS STEEL 303Cu	PASSIVATION	CONTACT RESISTANCE	CENTER CONTACT <3.0 mΩ OUTER CONTACT <2.0 mΩ
			INSULATION RESISTANCE	>5000 MΩ
			INSERTION LOSS	<0.1√F(GHz) dB
			RF-LEAKAGE	N/A
			VSWR	<1.30
			3RD INTERMODULATION	N/A
MECHANICAL CHARACTERISTICS			ENVIRONMENTAL PARAMETER	
FORCE TO ENGAGE AND DISENGAGE		N/A	TEMPERATURE RANGE	-40°C ~ +125 °C
CENTER CONTACT RETENTION FORCE		N/A		
RECOMMENDED COUPLING TORQUE		N/A		
COUPLING NUT RETENTION FORCE		N/A		
DURABILITY		>500 cycles		

\* CUSTOMER OUTLINE DRAWING

UNLESS OTHERWISE SPECIFIED:  
 1) EDGES : C0.15 MAX ;  
 2) REMOVE ALL BURRS ;  
 3) SURFACE ROUGHNESS : Ra1.6 ;  
 4) UNITS : mm ;  
 5) DIMENSIONS TOLERANCES  
 DECIMALS : .x ±0.3 .xx ±0.2 .xxx±0.1;  
 ANGLES : ± 5°.

THIRD ANGLE PROJECTION



APPROVED :

CUSTOMER P/N :

CHECKED :

SCALE :

2:1

DRAWING :

DATE : 2020-12-16

PAGE : 1/1



TITLE : SMA FEMALE S/T SOLDER

FOR PT-210 CABLE, 50Ω

DRAWING NO. :

5MAF15S-A350

COMPANY WEBSITE : www.slkcorp.com

CUSTOMER OUTLINE DRAWING