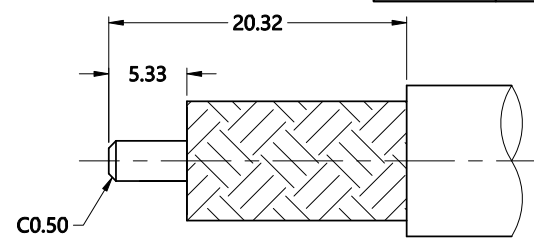


REV.	DESCRIPTION	ECN NO.	NAME	DATE
0	FIRST EDITION	N/A	HRWEI	2021-04-02

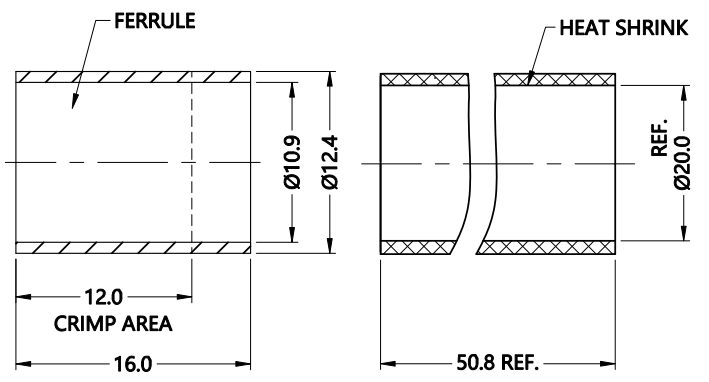
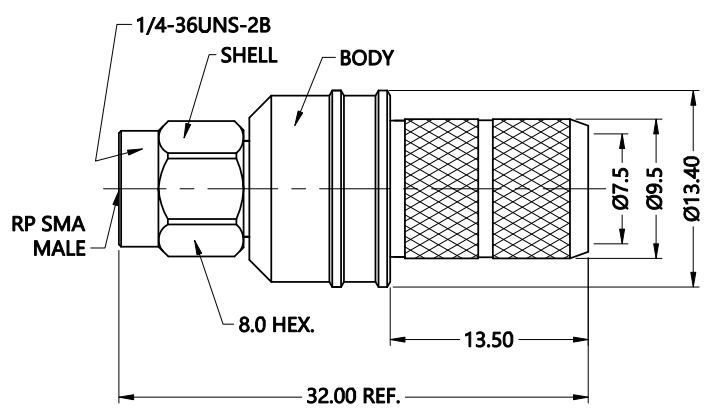


ALL PARTS MUST MEET TO RoHS REQUIREMENTS

REMARKS:
 1. CRIMPED FERRULE HEX. CRIMP SIZE .429"
 2. CONTACT PIN TO CAPTIVE
 3. ADDS SIZE: 13.7mm



RECOMMENDED CABLE STRIPPING DIM'S



MATERIALS AND PLATING		UNIT: MICRO-INCHES
PART NAME	MATERIALS	PLATING
BODY	BRASS C3604	NICKEL 200 u"/COPPER
INSULATOR	PTFE ASTM-D-1710	N/A
CONTACT PIN	Be+Cu 17300	GOLD 5 u" / NICKEL/COPPER
SHELL	BRASS C3604	NICKEL 200 u"/COPPER

ELECTRICAL CHARACTERISTICS	
IMPEDANCE	50 Ω
VOLTAGE RATING	335 V(rms)
FREQUENCY RANGE	DC ~ 6 GHz
DIELECTRIC WITHSTANDING VOLTAGE	>750 V
CONTACT RESISTANCE	CENTER CONTACT
	OUTER CONTACT
INSULATION RESISTANCE	>5000 MΩ
INSERTION LOSS	N/A
RF-LEAKAGE	N/A
VSWR	<1.30
3RD INTERMODULATION	N/A

MECHANICAL CHARACTERISTICS	
FORCE TO ENGAGE AND DISENGAGE	N/A
CENTER CONTACT RETENTION FORCE	>6 lbs
RECOMMENDED COUPLING TORQUE	7-10 in-lbs
COUPLING NUT RETENTION FORCE	>60 lbs
DURABILITY	>500 cycles

ENVIRONMENTAL PARAMETER	
TEMPERATURE RANGE	-40 °C ~ +125 °C
RELATIVE HUMIDITY	MIL- STD 202, Meth. 106
VIBRATION	MIL- STD 202, Meth. 204, Cond. D
SHOCK	MIL- STD 202, Meth. 213, Cond. I

* CUSTOMER OUTLINE DRAWING

UNLESS OTHERWISE SPECIFIED:
 1) EDGES : C0.15 MAX ;
 2) REMOVE ALL BURRS ;
 3) SURFACE ROUGHNESS : Ra1.6 ;
 4) UNITS : mm ;
 5) DIMENSIONS TOLERANCES
 DECIMALS : .x ±0.3 .xx ±0.2 .xxx ±0.1;
 ANGLES : ± 5°.

THIRD ANGLE PROJECTION	
APPROVED :	CUSTOMER P/N :
CHECKED :	SCALE :
DRAWING :	DATE :
PAGE : 1/1	

SLK
 SUPERLINK

TITLE : RP-SMA MALE S/T CRIMP FOR LMR-400 CABLE, 50Ω

DRAWING NO. : 5RMAM11S-A11-005

COMPANY WEBSITE : www.slkcorp.com

CUSTOMER OUTLINE DRAWING