

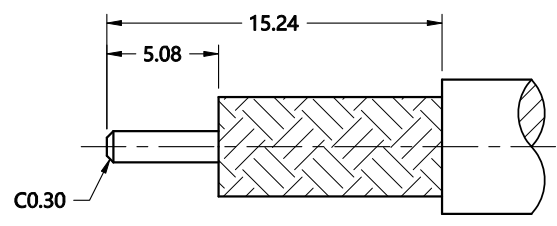
REV.	DESCRIPTION	ECN NO.	NAME	DATE
0	FIRST EDITION	N/A	HRWEI	2022-09-15



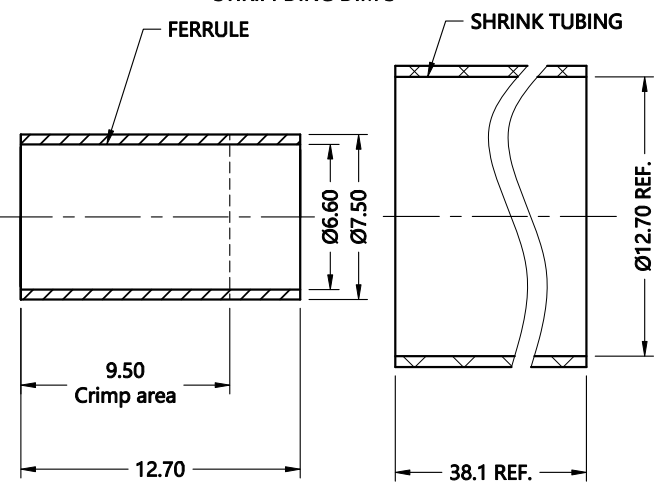
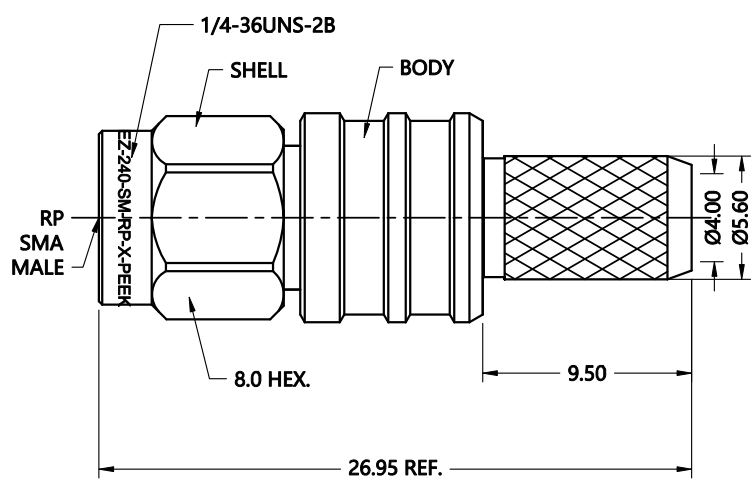
ALL PARTS MUST MEET TO RoHS REQUIREMENTS

REMARK:

- CONTACT PIN TO CAPTIVE
- ADDS SIZE: 12.15mm
- FERRULE TO CRIMPED THE HEX. SIZE .255"



RECOMMENDED CABLE STRIPPING DIM'S



MATERIALS AND PLATING		UNIT: MICRO-INCHES
PART NAME	MATERIALS	PLATING
BODY/SHELL	BRASS C3604	ALBALOY 100 u"/COPPER
INSULATOR	PEEK	N/A
CONTACT PIN	Be-Cu C17300	GOLD 50 u" /NICKEL/COPPER
GASKET	SILICONE	N/A
FERRULE	BRASS	ALBALOY 100 u"/COPPER

ELECTRICAL CHARACTERISTICS	
IMPEDANCE	50 Ω
VOLTAGE RATING	335 V(rms)
FREQUENCY RANGE	DC ~ 6 GHz
DIELECTRIC WITHSTANDING VOLTAGE	>750 V
CONTACT RESISTANCE	CENTER CONTACT <3.0 mΩ
	OUTER CONTACT <2.0 mΩ
INSULATION RESISTANCE	>5000 MΩ
INSERTION LOSS	N/A
RF-LEAKAGE	N/A
VSWR	<1.25
3RD INTERMODULATION	N/A

MECHANICAL CHARACTERISTICS	
FORCE TO ENGAGE AND DISENGAGE	N/A
CENTER CONTACT RETENTION FORCE	N/A
RECOMMENDED COUPLING TORQUE	9-14 in-lbs
COUPLING NUT RETENTION FORCE	>100 lbs
DURABILITY	>500 cycles

ENVIRONMENTAL PARAMETER	
TEMPERATURE RANGE	-40 °C ~ +105 °C

CUSTOMER OUTLINE DRAWING

UNLESS OTHERWISE SPECIFIED:
 1) EDGES : C0.15 MAX ;
 2) REMOVE ALL BURRS ;
 3) SURFACE ROUGHNESS : Ra1.6 ;
 4) UNITS : mm ;
 5) DIMENSIONS TOLERANCES
 DECIMALS : .x ±0.3 .xx ±0.2 .xxx±0.1;
 ANGLES : ± 5°.

THIRD ANGLE PROJECTION	
APPROVED :	CUSTOMER P/N :
CHECKED :	SCALE : 3:1
DRAWING :	DATE : 2022-09-15
PAGE : 1/1	

TITLE : RP SMA MALE S/T FOR LMR-240 CABLE,50Ω
 DRAWING NO. : 5RMAM11S-A46-010
 COMPANY WEBSITE : www.slkcorp.com

CUSTOMER OUTLINE DRAWING