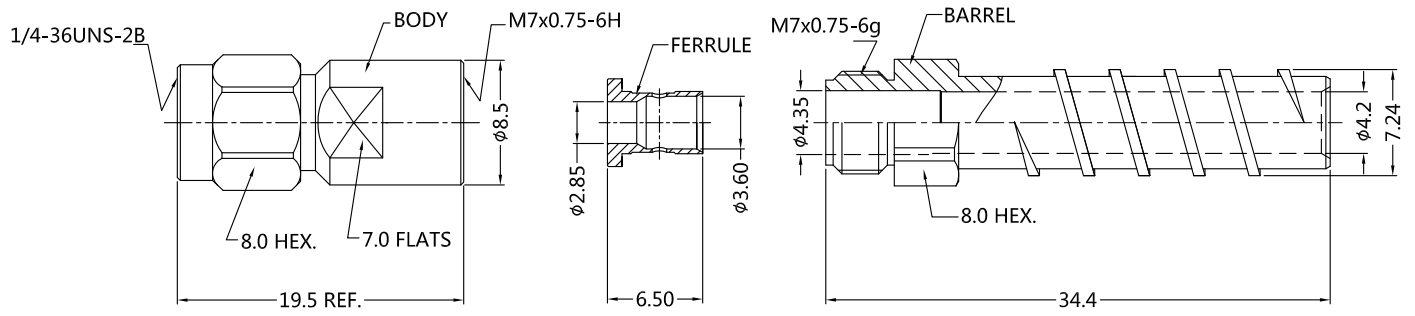
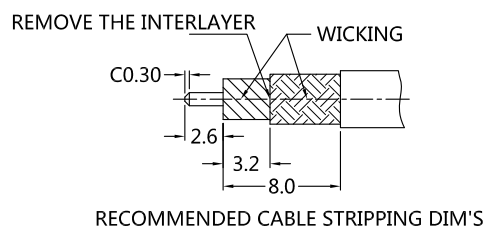


| REV. | DESCRIPTION        | ECN NO. | NAME | DATE       |
|------|--------------------|---------|------|------------|
| 2    | UPDATE THE DRAWING | N/A     | liu  | 2019-01-17 |
| 3    | NEW FRAME          | N/A     | HYH  | 2020-07-20 |



ALL PARTS MUST MEET TO RoHS REQUIREMENTS

REMARKS:  
 1.ADDS SIZE:11.73mm  
 2.FERRULE TO SOLDER  
 3.CONTACT PIN TO CAPTIVE



| MATERIALS AND PLATING |                 | UNIT: MICRO-INCHES         |
|-----------------------|-----------------|----------------------------|
| PART NAME             | MATERIALS       | PLATING                    |
| BODY/SHELL            | STAINLESS STEEL | PASSIVATION                |
| CONTACT PIN           | Be-Cu C17300    | GOLD PL.50u"/COPPER        |
| INSULATOR             | PEI             | N/A                        |
| FERRULE               | BRASS C3604     | GOLD PL.10u"/NICKEL/COPPER |
| BARREL                | STAINLESS STEEL | PASSIVATION                |

| ELECTRICAL CHARACTERISTICS      |                        |
|---------------------------------|------------------------|
| IMPEDANCE                       | 50 Ω                   |
| VOLTAGE RATING                  | N/A                    |
| FREQUENCY RANGE                 | 0 ~ 40 GHz             |
| DIELECTRIC WITHSTANDING VOLTAGE | 500 V                  |
| CONTACT RESISTANCE              | CENTER CONTACT <3.0 mΩ |
|                                 | OUTER CONTACT <2.0 mΩ  |
| INSULATION RESISTANCE           | >5000 MΩ               |
| INSERTION LOSS                  | <0.05x√F(GHz) dB       |
| VSWR                            | <1.30                  |
| 3RD INTERMODULATION             | N/A                    |

| MECHANICAL CHARACTERISTICS     |                |
|--------------------------------|----------------|
| FORCE TO ENGAGE AND DISENGAGE  | N/A            |
| CENTER CONTACT RETENTION FORCE | >6 lbs         |
| RECOMMENDED COUPLING TORQUE    | 5.3~8.9 in-lbs |
| COUPLING NUT RETENTION FORCE   | >60 lbs        |
| DURABILITY                     | >500 cycles    |

| ENVIRONMENTAL PARAMETER |                |
|-------------------------|----------------|
| TEMPERATURE RANGE       | -40 °C~+125 °C |

CUSTOMER OUTLINE DRAWING

**\* CUSTOMER OUTLINE DRAWING**

UNLESS OTHERWISE SPECIFIED:  
 1) EDGES : C0.15 MAX ;  
 2) REMOVE ALL BURRS ;  
 3) SURFACE ROUGHNESS : Ra1.6 ;  
 4) UNITS : mm ;  
 5) DIMENSIONS TOLERANCES  
 DECIMALS : .x ±0.3 .xx ±0.2 .xxx±0.1;  
 ANGLES : ± 5°.

|                        |                |            |
|------------------------|----------------|------------|
| THIRD ANGLE PROJECTION |                |            |
| APPROVED :             | CUSTOMER P/N : |            |
| CHECKED :              | SCALE :        | 1 : 1      |
| DRAWING :              | DATE :         | 2020-07-20 |
|                        | PAGE :         | 1/1        |

TITLE : 2.92mm MALE S/T SOLDER FOR MG-160/HF-160 CABLE,50Ω  
 DRAWING NO. : 5P9M15S-A389-002  
 COMPANY WEBSITE : www.slkcorp.com