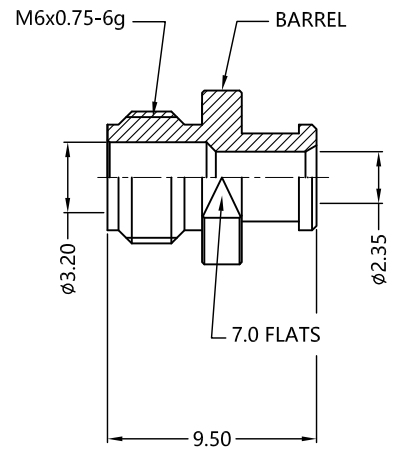
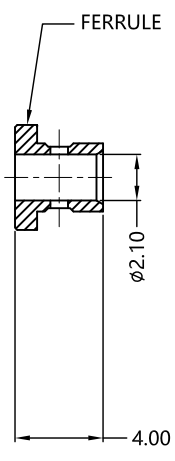
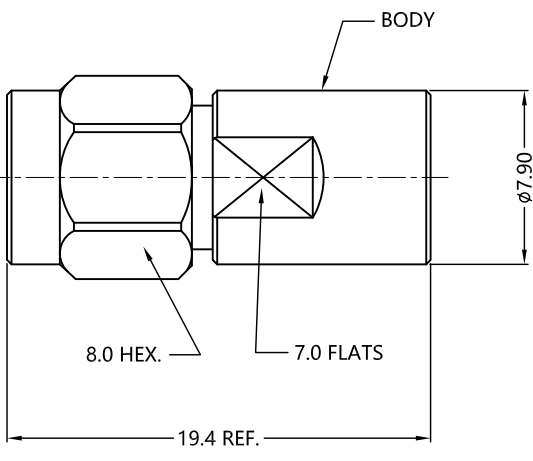
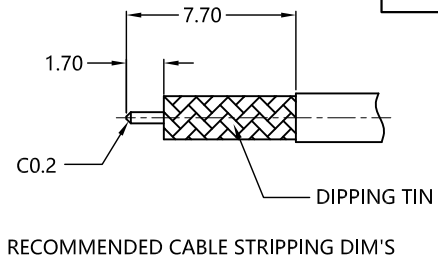


REV.	DESCRIPTION	ECN NO.	NAME	DATE
1	NEW FRAME	N/A	JING	2020-08-13



ALL PARTS MUST MEET TO RoHS REQUIREMENTS

REMARKS:
 1.ADDS SIZE:12.5mm
 2.CONTACT PIN TO CAPTIVE
 3.FERRULE TO SOLDER



MATERIALS AND PLATING		UNIT: MICRO-INCHES
PART NAME	MATERIALS	PLATING
BODY/SHELL	BRASS	NICKEL 100u"/COPPER
INSULATOR	PEI	N/A
CONTACT PIN	Be-Cu C17300	GOLD 3u"/COPPER
FERRULE	BRASS	GOLD 3u"/NICKEL/COPPER
BARREL	BRASS	NICKEL 100u"/COPPER

ELECTRICAL CHARACTERISTICS	
IMPEDANCE	50 Ω
VOLTAGE RATING	335 V(rms)
FREQUENCY RANGE	0 ~ 40 GHz
DIELECTRIC WITHSTANDING VOLTAGE	>500 V
CONTACT RESISTANCE	CENTER CONTACT <0.75 mΩ
	OUTER CONTACT <0.13 mΩ
INSULATION RESISTANCE	>5000 MΩ
INSERTION LOSS	According to the cable
RF-LEAKAGE	N/A
VSWR	<1.3
3RD INTERMODULATION	N/A

MECHANICAL CHARACTERISTICS	
FORCE TO ENGAGE AND DISENGAGE	N/A
CENTER CONTACT RETENTION FORCE	>6 lbs
RECOMMENDED COUPLING TORQUE	7-10 in-lbs
COUPLING NUT RETENTION FORCE	>60 lbs
DURABILITY	>500 cycles

ENVIRONMENTAL PARAMETER	
TEMPERATURE RANGE	-40 °C ~ +125 °C
WATERPROOF	IP 67
SALT SPRAY	96 H

* CUSTOMER OUTLINE DRAWING

UNLESS OTHERWISE SPECIFIED:
 1) EDGES : C0.15 MAX ;
 2) REMOVE ALL BURRS ;
 3) SURFACE ROUGHNESS : Ra1.6 ;
 4) UNITS : mm ;
 5) DIMENSIONS TOLERANCES
 DECIMALS : .x ±0.3 .xx ±0.2 .xxx±0.1;
 ANGLES : ± 5°.

THIRD ANGLE PROJECTION	
APPROVED :	CUSTOMER P/N :
CHECKED :	SCALE :
DRAWING :	DATE :
JING	2020-08-13
PAGE : 1/1	

TITLE : 2.92mm MALE S/T SOLDER FOR HF-090 CABLE, 50Ω
 DRAWING NO. : 5P9M15S-A570-001
 COMPANY WEBSITE : www.slkcorp.com

CUSTOMER OUTLINE DRAWING