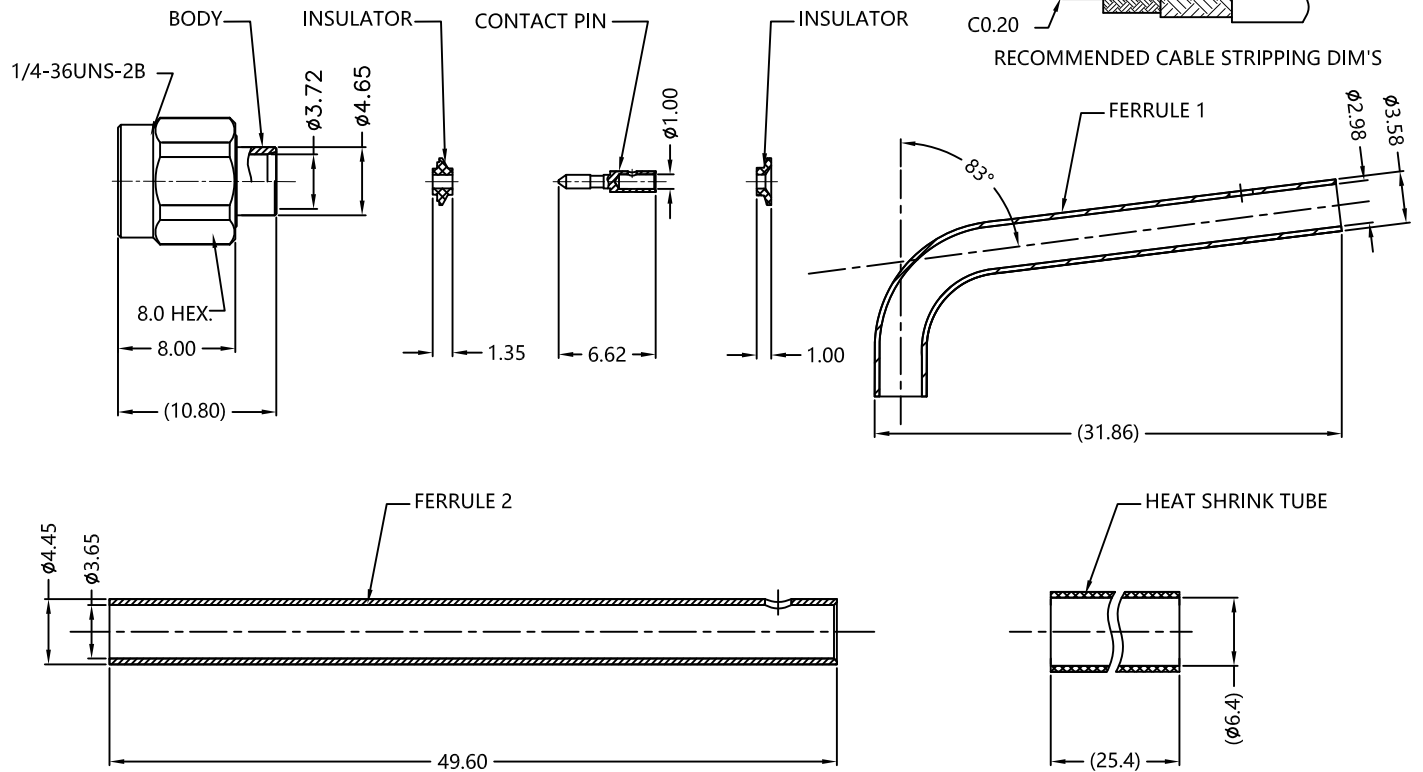


REV.	DESCRIPTION	ECN NO.	NAME	DATE			
2	UPDATED THE DRAWING	N/A	LIU	2020-04-16			
3	NEW FRAME	N/A	JING	2020-12-29			



ALL PARTS MUST MEET TO RoHS REQUIREMENTS

REMARKS:
1.CONTACT PIN & FERRULE TO SOLDER
2.ADD SIZE : 5.30mm



MATERIALS AND PLATING		UNIT: MICRO-INCHES
PART NAME	MATERIALS	PLATING
BODY	BRASS C3604	GOLD 15 u"/NICKEL/COPPER
INSULATOR	PEI	N/A
CONTACT PIN	BERYLLIUM COPPER	GOLD 50 u"/NICKEL/COPPER
SHELL	STAINLESS STEEL	PASSIVATION
FERRULE 1	COPPER	GOLD 5 u"/NICKEL/COPPER
FERRULE 2	BRASS C3604	GOLD 5 u"/NICKEL/COPPER

ELECTRICAL CHARACTERISTICS	
IMPEDANCE	50 Ω
VOLTAGE RATING	N/A
FREQUENCY RANGE	0 ~ 40 GHz
DIELECTRIC WITHSTANDING VOLTAGE	>750 V
CONTACT RESISTANCE	CENTER CONTACT <0.75 mΩ
	OUTER CONTACT <0.13 mΩ
INSULATION RESISTANCE	>1000 MΩ
INSERTION LOSS	<0.05*sqrt(f) dB
RF-LEAKAGE	N/A
VSWR	<1.30(Unsoldered ferrule)
3RD INTERMODULATION	N/A

MECHANICAL CHARACTERISTICS	
FORCE TO ENGAGE AND DISENGAGE	N/A
CENTER CONTACT RETENTION FORCE	N/A
RECOMMENDED COUPLING TORQUE	5.3~8.9 in-lbs
COUPLING NUT RETENTION FORCE	>100 lbs
DURABILITY	>500cycles

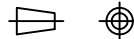
ENVIRONMENTAL PARAMETER	
TEMPERATURE RANGE	-40 °C ~ +125 °C

* CUSTOMER OUTLINE DRAWING

UNLESS OTHERWISE SPECIFIED:

- 1) EDGES : C0.15 MAX ;
- 2) REMOVE ALL BURRS ;
- 3) SURFACE ROUGHNESS : Ra1.6 ;
- 4) UNITS : mm ;
- 5) DIMENSIONS TOLERANCES
DECIMALS : .x ±0.3 .xx ±0.2 .xxx±0.1;
ANGLES : ± 5°.

THIRD ANGLE PROJECTION



APPROVED :

CUSTOMER P/N :

CHECKED :

SCALE :

2: 1

DRAWING :

DATE : 2020-12-29

PAGE : 1/1



TITLE : 2.92mm MALE R/A SOLDER FOR HF-160E CABLE,50Ω

DRAWING NO. : 5P9M15S-A647

COMPANY WEBSITE : www.slkcorp.com

CUSTOMER OUTLINE DRAWING