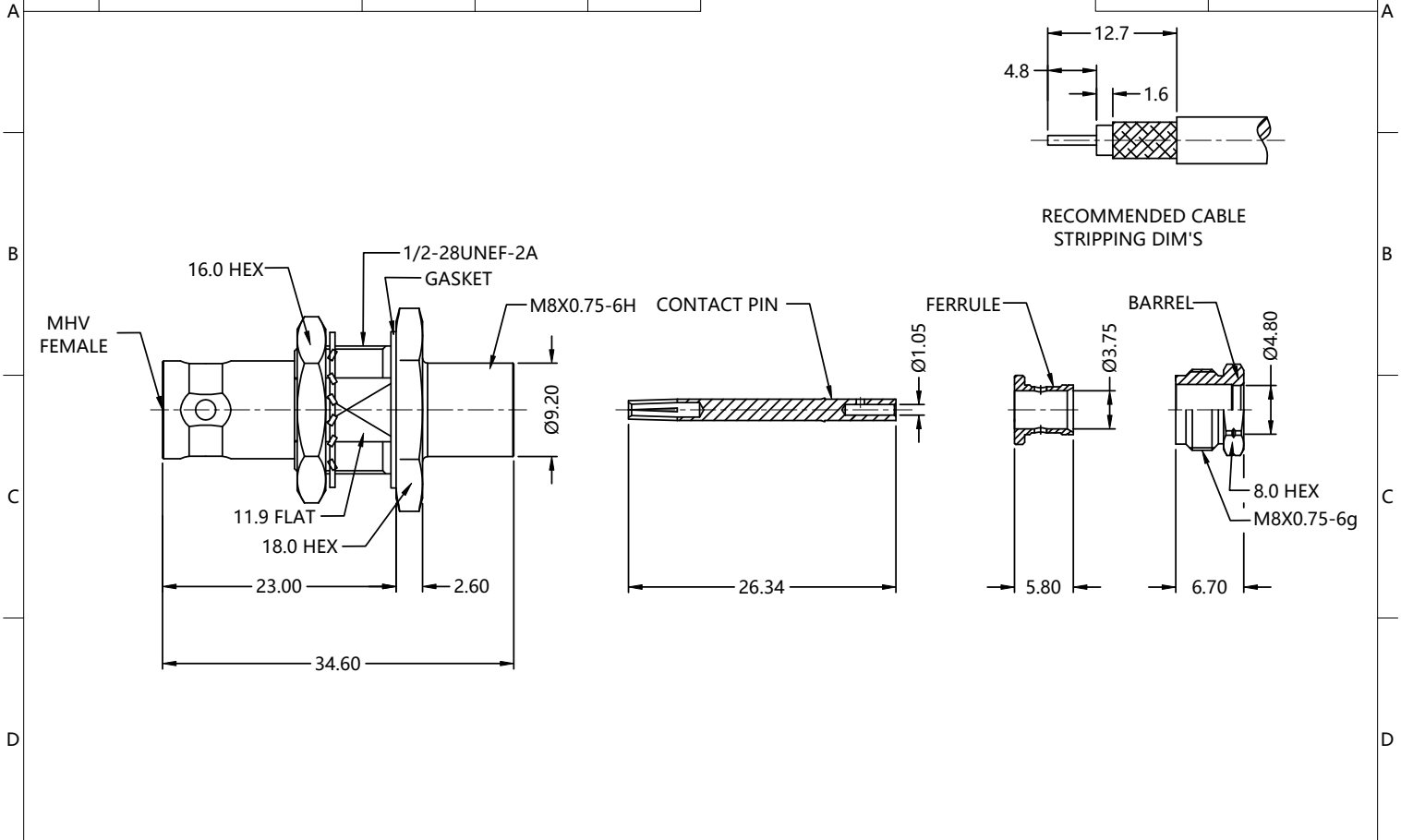


REV.	DESCRIPTION	ECN NO.	NAME	DATE
0	FIRST EDITION	N/A	XIAO	2015-12-21
1	NEW FRAME	N/A	Liu	2022-11-09



ALL PARTS MUST MEET TO RoHS REQUIREMENTS



MATERIALS AND PLATING		UNIT: MICRO-INCHES
PART NAME	MATERIALS	PLATING
BODY	NON-MAGNETIC BRASS	ALBALOY 80u"/COPPER
INSULATOR	PTFE	N/A
CONTACT PIN	NON-MAGNETIC BRONZE	GOLD 3u" /COPPER
GASKET	SILICONE	N/A
WASHER/NUT	NON-MAGNETIC BRASS	ALBALOY 80u"/COPPER
FERRULE/BARREL	NON-MAGNETIC BRASS	ALBALOY 80u"/COPPER

ELECTRICAL CHARACTERISTICS	
IMPEDANCE	50 Ω
VOLTAGE RATING	335 V(rms)
FREQUENCY RANGE	DC-4 GHz
DIELECTRIC WITHSTANDING VOLTAGE	>500 V
CONTACT RESISTANCE	CENTER CONTACT
	OUTER CONTACT
INSULATION RESISTANCE	>5000 MΩ
INSERTION LOSS	N/A
VSWR	<1.35

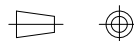
MECHANICAL CHARACTERISTICS	
FORCE TO ENGAGE AND DISENGAGE	N/A
CENTER CONTACT RETENTION FORCE	N/A
RECOMMENDED COUPLING TORQUE	N/A
SHELL RETENTION FORCE	N/A
DURABILITY	> 500 cycles

ENVIRONMENTAL PARAMETER	
TEMPERATURE RANGE	-40°C~+85°C

**\* CUSTOMER OUTLINE DRAWING**

UNLESS OTHERWISE SPECIFIED:  
 1) EDGES : C0.15 MAX ;  
 2) REMOVE ALL BURRS ;  
 3) SURFACE ROUGHNESS : Ra1.6 ;  
 4) UNITS : mm ;  
 5) DIMENSIONS TOLERANCES  
 DECIMALS : .x ±0.3 .xx ±0.2 .xxx±0.1;  
 ANGLES : ± 5°.

THIRD ANGLE PROJECTION



APPROVED :

CUSTOMER P/N :

CHECKED :

SCALE :

DRAWING :

DATE : 2022-11-09

PAGE : 1/1



TITLE : MHV FEMALE S/T SOLDER FOR .141" CABLE

DRAWING NO. : NM-5MVF15S-S02

COMPANY WEBSITE : www.slkcorp.com