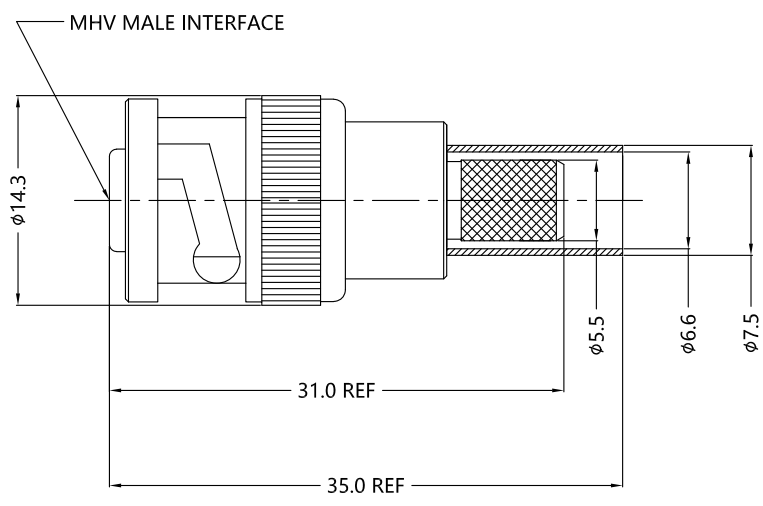


REV.	DESCRIPTION	ECN NO.	NAME	DATE
0	FIRST EDITION	N/A	Kevin.Li	2021-04-02



ALL PARTS MUST MEET TO RoHS REQUIREMENTS

REMARKS:
 1. CONTACT PIN TO SOLDER
 2. CRIMPED FERRULE HEX. CRIMP SIZE 6.5mm



MATERIALS AND PLATING		UNIT: MICRO-INCHES
PART NAME	MATERIALS	PLATING
BODY/SHELL	BRASS	NICKEL PLATING
INSULATOR	PTFE	N/A
CONTACT PIN	BRASS	GOLD PLATING

ELECTRICAL CHARACTERISTICS	
IMPEDANCE	50 Ω
VOLTAGE RATING	300V(rms)
FREQUENCY RANGE	DC-300MHz
DIELECTRIC WITHSTANDING VOLTAGE	>3500 V
CONTACT RESISTANCE	CENTER CONTACT
	OUTER CONTACT
INSULATION RESISTANCE	>5 GΩ
INSERTION LOSS	N/A
VSWR	N/A

MECHANICAL CHARACTERISTICS	
FORCE TO ENGAGE AND DISENGAGE	N/A
CENTER CONTACT RETENTION FORCE	N/A
RECOMMENDED COUPLING TORQUE	N/A
SHELL RETENTION FORCE	> 100lbs
DURABILITY	> 100cycles

ENVIRONMENTAL PARAMETER	
TEMPERATURE RANGE	-40°C~+85°C

CUSTOMER OUTLINE DRAWING

*** CUSTOMER OUTLINE DRAWING**

UNLESS OTHERWISE SPECIFIED:
 1) EDGES : C0.15 MAX ;
 2) REMOVE ALL BURRS ;
 3) SURFACE ROUGHNESS : Ra1.6 ;
 4) UNITS : mm ;
 5) DIMENSIONS TOLERANCES
 DECIMALS : .x ±0.3 .xx ±0.2 .xxx±0.1;
 ANGLES : ± 5°.

THIRD ANGLE PROJECTION		
APPROVED :	CUSTOMER P/N :	-
CHECKED :	SCALE :	-
DRAWING :	DATE :	2021-04-02
PAGE :		1/1



TITLE : MHV MALE S/T CRIMP FOR RG59 CABLE

DRAWING NO. : 5MVM11S-A10-001

COMPANY WEBSITE : www.slkcorp.com