
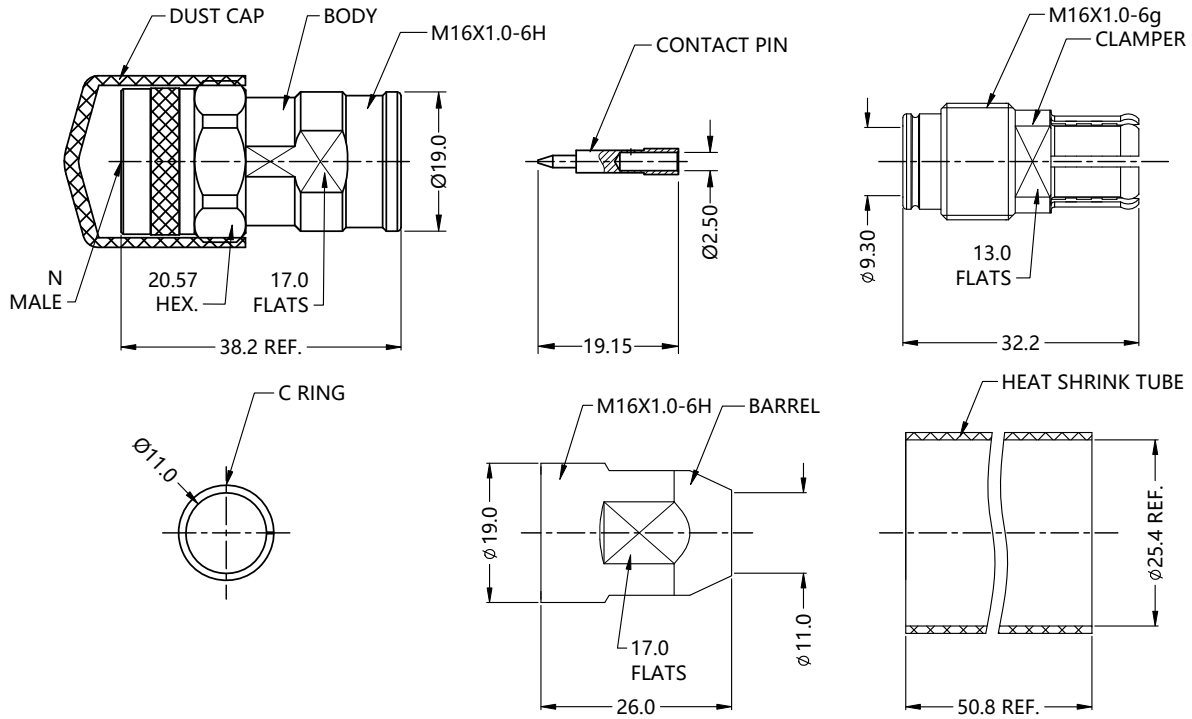
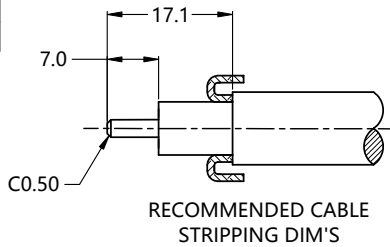


1	2	3	4	5	6
REV 0	DESCRIPTION FIRST EDITION	ECN NO N/A	NAME Liu	DATE 2021-07-30	 ALL PARTS MUST MEET TO RoHS REQUIREMENTS

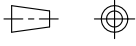
REMARKS:
1.ADDS SIZE:13.3mm
2.CONTACT PIN TO SOLDER



MATERIALS AND PLATING			UNIT: MICRO-INCHES		ELECTRICAL CHARACTERISTICS	
BODY/SHELL	BRASS C3604	ALBALOY 100 u" /COPPER	IMPEDANCE		50 Ω	
CONTACT PIN	BRASS C3604	GOLD 15 u" /COPPER	VOLTAGE RATING		835 V(rms)	
INSULATOR	PTFE ASTM-D-1710	N/A	FREQUENCY RANGE		0~3 GHz	
CLAMPER	QSn 4-3	ALBALOY 100 u" /COPPER	DIELECTRIC WITHSTANDING VOLTAGE		>2500 V	
BARREL	BRASS C3604	ALBALOY 100 u" /COPPER	CONTACT RESISTANCE	CENTER CONTACT	<1.0 mΩ	
C RING	STAINLESS STEEL	PASSIVATION		OUTER CONTACT	<0.2 mΩ	
MECHANICAL CHARACTERISTICS FORCE TO ENGAGE AND DISENGAGE: N/A CENTER CONTACT RETENTION FORCE: N/A RECOMMENDED COUPLING TORQUE: 9~14 in-lbs COUPLING NUT RETENTION FORCE: > 100 lbs DURABILITY: >500 cycles			INSULATION RESISTANCE		>5000 MΩ	
			INSERTION LOSS		<0.05√F dB	
			VSWR		<1.30	
			3RD INTERMODULATION		N/A	
ENVIRONMENTAL CHARACTERISTICS TEMPERATURE RANGE: -40 °C~+125 °C THERMAL SHOCK: MIL- STD 202, Meth. 107,Cond. B VIBRATION: MIL- STD 202, Meth. 204,Cond. B SHOCK: MIL- STD 202, Meth. 213,Cond. I			TEMPERATURE RANGE		-40 °C~+125 °C	
			THERMAL SHOCK		MIL- STD 202, Meth. 107,Cond. B	
			VIBRATION		MIL- STD 202, Meth. 204,Cond. B	
			SHOCK		MIL- STD 202, Meth. 213,Cond. I	

*** CUSTOMER OUTLINE DRAWING**

UNLESS OTHERWISE SPECIFIED:
 1) C0.15 MAX;
 2) REMOVE ALL BURRS;
 3) SURFACE ROUGHNESS : Ra1.6;
 4) UNITS:mm;
 5) DIMENSIONS TOLERANCES
 DECIMALS .x ±0.3 .xx ±0.2 .xxx±0.1
 ANGLES ±5°

THIRD ANGLE PROJECTION		
APPROVED:	CUSTOMER P/N:	
CHECKED:	SCALE:	
DRAWING:	DATE: 2021-07-30	
COMPANY WEBSITE: www.slkcorp.com		



TITLE: TYPE N MALE S/T CLAMP FOR RG-393 CABLE,50Ω
 DRAWING NO: 5NCM14S-A253-001

CUSTOMER OUTLINE DRAWING