
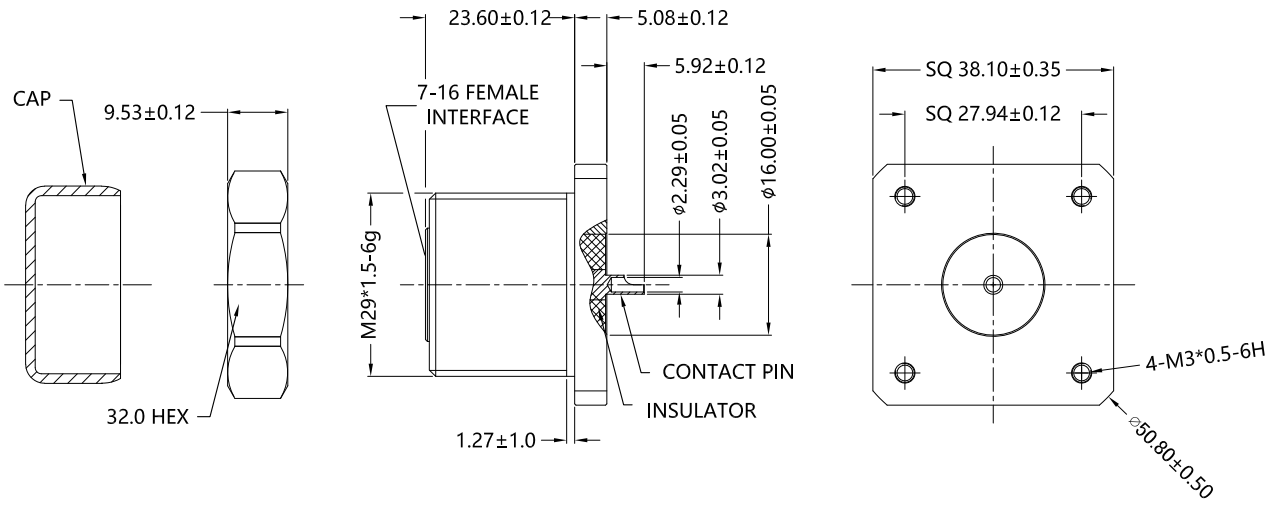
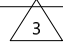


REV.	DESCRIPTION	ECN NO.	NAME	DATE	 ALL PARTS MUST MEET TO RoHS REQUIREMENTS
1	FIRST EDITION	N/A	YJY	2015-11-02	
2	NEW FRAME	N/A	JING	2020-05-26	
3	UPDATE CONTACT PIN PALTING	N/A	YJY	2021-12-08	



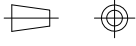

MATERIALS AND PLATING UNIT: MICRO-INCHES		
PART NAME	MATERIALS	PLATING
BODY	BRASS C3604	ALBALOY 80u"/COPPER
INSULATOR	TEFLON	N/A
CONTACT PIN	C54400	SILVER 300u"/COPPER 
NUT	BRASS	ALBALOY 80u"/COPPER
CAP	PVC	N/A

ELECTRICAL CHARACTERISTICS		
IMPEDANCE	50 Ω	
VOLTAGE RATING	2700 V(rms)	
FREQUENCY RANGE	DC ~ 7.5 GHz	
DIELECTRIC WITHSTANDING VOLTAGE	>4000 V	
CONTACT RESISTANCE	CENTER CONTACT	<0.4 mΩ
	OUTER CONTACT	<1.5 mΩ
INSULATION RESISTANCE	>10000 MΩ	
INSERTION LOSS	0.05xvF(GHz) <sup>-1</sup>	
RF-LEAKAGE	N/A	
VSWR	<1.30 @ DC-3 GHz	
3RD INTERMODULATION	N/A	

MECHANICAL CHARACTERISTICS	
FORCE TO ENGAGE AND DISENGAGE	N/A
CENTER CONTACT RETENTION FORCE	>200 N
RECOMMENDED COUPLING TORQUE	25-30N.m
COUPLING NUT RETENTION FORCE	>1000 N
DURABILITY	>500 cycles

ENVIRONMENTAL PARAMETER	
TEMPERATURE RANGE	-55 °C ~ +155 °C
THERMAL SHOCK	MIL- STD 202, Meth. 107,Cond. B
VIBRATION	MIL- STD 202, Meth. 204,Cond. B
SHOCK	MIL- STD 202, Meth. 213,Cond. I

CUSTOMER OUTLINE DRAWING

* CUSTOMER OUTLINE DRAWING		THIRD ANGLE PROJECTION 		
UNLESS OTHERWISE SPECIFIED: 1) EDGES : C0.15 MAX 2) REMOVE ALL BURRS ; 3) SURFACE ROUGHNESS : Ra1.6 4) UNITS : mm ; 5) DIMENSIONS TOLERANCES DECIMALS : .x ±0.3 .xx ±0.2 .xxx±0.1; ANGLES : ± 5°		APPROVED :	CUSTOMER P/N :	
		CHECKED :	SCALE : 1 : 1	
		DRAWING :	DATE : 2021-12-08	
		PAGE : 1/1		TITLE : 7/16 FEMALE RECEPTACLE BHD,SOLDER CUP
				DRAWING NO. : 5A7F85S-H41
				COMPANY WEBSITE : www.slkcorp.com