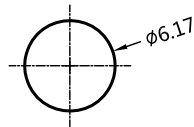


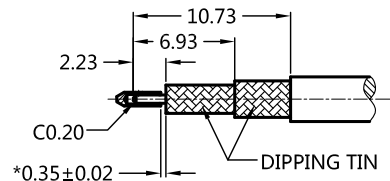
REV.	DESCRIPTION	ECN NO.	NAME	DATE	
1	UPDATE THE DRAWING	N/A	WYJ	2017-08-16	ALL PARTS MUST MEET TO RoHS REQUIREMENTS
2	NEW FRAME	N/A	JING	2020-06-23	

REMARKS:

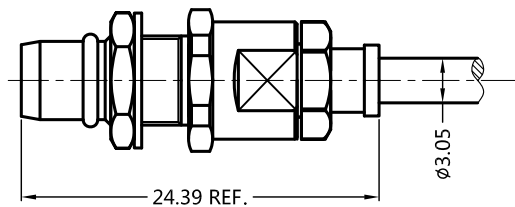
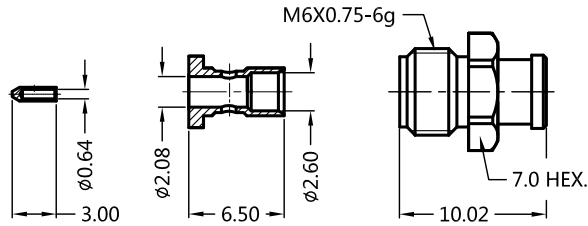
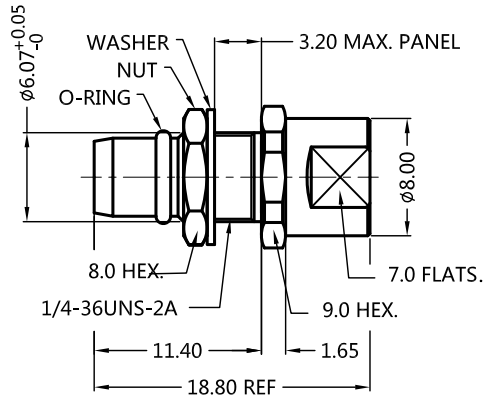
- ADDS SIZE: 11.2mm
- CONTACT PIN& FERRULE TO SOLDER



RECOMMENDED MOUNTING HOLE



RECOMMENDED CABLE STRIPPING DIM'S



MATERIALS AND PLATING		UNIT: MICRO-INCHES
PART NAME	MATERIALS	PLATING
BODY	STAINLESS STEEL	GOLD 50u"/NICKEL
INSULATOR	PTFE ASTM-D-1710	N/A
CONTACT PIN	BERYLLIUM COPPER	GOLD 100u"/NICKEL/COPPER
O-RING	RUBBER	N/A
NUT	STAINLESS STEEL	PASSIVATION
WASHER	BRASS	GOLD 10u"/NICKEL/COPPER

ELECTRICAL CHARACTERISTICS	
IMPEDANCE	50 Ω
VOLTAGE RATING	250 V(rms)
FREQUENCY RANGE	0 ~ 18 GHz
DIELECTRIC WITHSTANDING VOLTAGE	>750 V
CONTACT RESISTANCE	CENTER CONTACT <3.0 mΩ
	OUTER CONTACT <2.0 mΩ
INSULATION RESISTANCE	>10000 MΩ
INSERTION LOSS	According as the cable
RF-LEAKAGE	90-100 dB - FGHz (0 INTERFACE BOTTOMED)
	75-90 dB - FGHz (0.25-0.38 INTERFACE GAP)
	60-75 dB - FGHz (0.40-0.76 INTERFACE GAP)
VSWR	< 1.15+ 0.02X F(GHz)
3RD INTERMODULATION	N/A

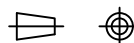
MECHANICAL CHARACTERISTICS	
FORCE TO ENGAGE AND DISENGAGE	N/A
CENTER CONTACT RETENTION FORCE	>6 lbs
RECOMMENDED COUPLING TORQUE	N/A
COUPLING NUT RETENTION FORCE	N/A
DURABILITY	>1000 cycles

ENVIRONMENTAL PARAMETER	
TEMPERATURE RANGE	-65 °C~+150 °C

* CUSTOMER OUTLINE DRAWING

- UNLESS OTHERWISE SPECIFIED:
- EDGES : C0.15 MAX ;
 - REMOVE ALL BURRS ;
 - SURFACE ROUGHNESS : Ra1.6 ;
 - UNITS : mm ;
 - DIMENSIONS TOLERANCES
DECIMALS : .x ±0.3 .xx ±0.2 .xxx±0.1;
ANGLES : ± 5°.

THIRD ANGLE PROJECTION



APPROVED :

CUSTOMER P/N :

CHECKED :

SCALE :

2 : 1

DRAWING :

JING

DATE : 2020-06-23

PAGE : 1/1



TITLE : BMA MALE S/T BULKHEAD FOR SFT-316 CABLE 50 OHM

DRAWING NO. :

5BMM35S-A120

COMPANY WEBSITE : www.slkcorp.com

CUSTOMER OUTLINE DRAWING