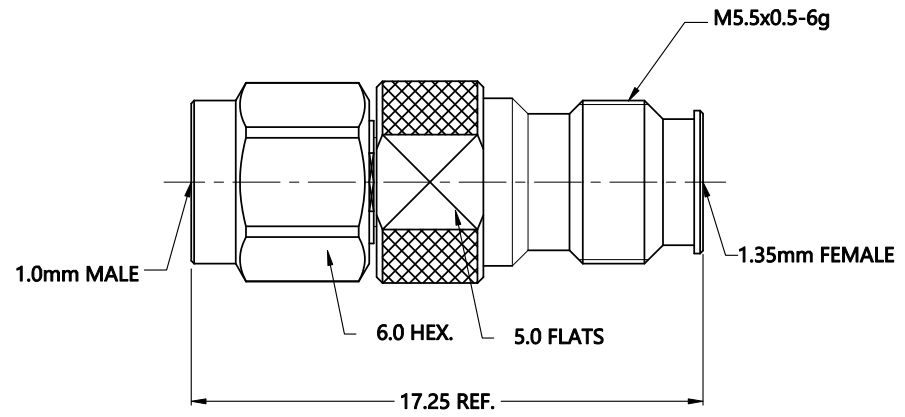


REV.	DESCRIPTION	ECN NO.	NAME	DATE
0	FIRST EDITION	N/A	LEICHAO	2021-01-27
1	FIRST EDITION	N/A	HRWEI	2021-09-07



ALL PARTS MUST MEET TO RoHS REQUIREMENTS



MATERIALS AND PLATING		UNIT: MICRO-INCHES
PART NAME	MATERIALS	PLATING
BODY	STAINLESS STEEL	PASSIVATION
INSULATOR	PEEK	N/A
CONTACT PIN	Be-Cu C17300	GOLD 20-50 u"/ NICKEL 30 u"
SHELL	STAINLESS STEEL	PASSIVATION

ELECTRICAL CHARACTERISTICS	
IMPEDANCE	50 Ω
VOLTAGE RATING	150 V(rms)
FREQUENCY RANGE	DC ~ 90 GHz
DIELECTRIC WITHSTANDING VOLTAGE	>500 V
CONTACT RESISTANCE	CENTER CONTACT <4.0 mΩ
	OUTER CONTACT <1.0 mΩ
INSULATION RESISTANCE	>5000 MΩ
INSERTION LOSS	<0.08x√F(GHz)dB \triangle ₁
VSWR	< 1.35@DC-90GHz

MECHANICAL CHARACTERISTICS	
FORCE TO ENGAGE AND DISENGAGE	N/A
CENTER CONTACT RETENTION FORCE	> 6 lbs
RECOMMENDED COUPLING TORQUE	1.0mm>6.2 in-lbs
	1.35mm>14.6 in-lbs
COUPLING NUT RETENTION FORCE	1.0mm>50 lbs
	1.35mm>68 lbs
DURABILITY	> 500cycles

ENVIRONMENTAL PARAMETER	
TEMPERATURE RANGE	-40 °C~+125 °C

CUSTOMER OUTLINE DRAWING

*** CUSTOMER OUTLINE DRAWING**

UNLESS OTHERWISE SPECIFIED:
 1) EDGES : C0.15 MAX ;
 2) REMOVE ALL BURRS ;
 3) SURFACE ROUGHNESS : Ra1.6 ;
 4) UNITS : mm ;
 5) DIMENSIONS TOLERANCES
 DECIMALS : .x ±0.3 .xx ±0.2 .xxx±0.1;
 ANGLES : ± 5°.

THIRD ANGLE PROJECTION	
APPROVED :	CUSTOMER P/N :
CHECKED :	SCALE : 4: 1
DRAWING :	DATE : 2021-09-07
PAGE : 1/1	



TITLE : 1.0mm MALE TO 1.35mm FEMALE ADAPTER
 DRAWING NO. : T-5T1M06S-T2F-001
 COMPANY WEBSITE : www.slkcorp.com