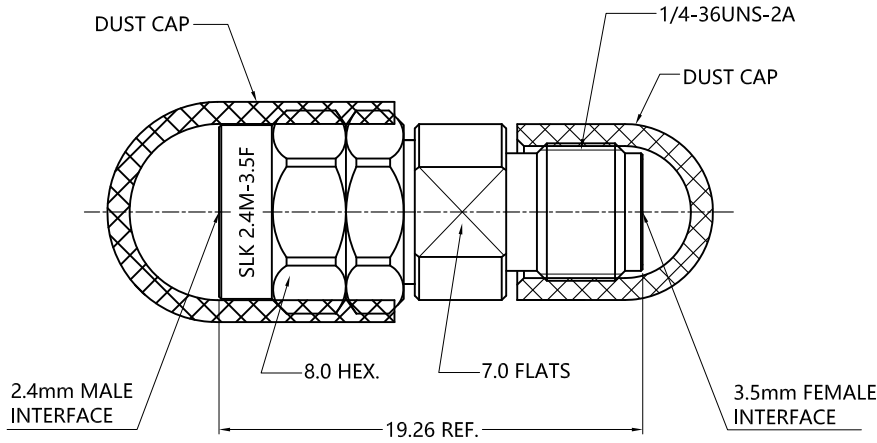


REV.	DESCRIPTION	ECN NO.	NAME	DATE
1	NEW FRAME	N/A	GUO	2020-07-15



ALL PARTS MUST MEET TO RoHS REQUIREMENTS



MATERIALS AND PLATING		UNIT: MICRO-INCHES
PART NAME	MATERIALS	PLATING
BODY/SHELL	STAINLESS STEEL	PASSIVATION
INSULATOR	ENGINEERING PLASTICS	N/A
CONTACT PIN	BE-CU C17300	GOLD PL.50 u"/COPPER
DUST CAP	PVC	N/A

ELECTRICAL CHARACTERISTICS		
IMPEDANCE	50 Ω	
VOLTAGE RATING	335 V(rms)	
FREQUENCY RANGE	DC ~ 33 GHz	
DIELECTRIC WITHSTANDING VOLTAGE	>1000 V	
CONTACT RESISTANCE	CENTER CONTACT	<3.0 mΩ
	OUTER CONTACT	<2.0 mΩ
INSULATION RESISTANCE	>5000 MΩ	
INSERTION LOSS	<0.05x√F(GHZ) dB	
VSWR	<1.25	
3RD INTERMODULATION	N/A	

MECHANICAL CHARACTERISTICS	
FORCE TO ENGAGE AND DISENGAGE	<5.6 N (3.5mm)
CENTER CONTACT RETENTION FORCE	>6 lbs
RECOMMENDED COUPLING TORQUE	8-10 in-lbs
COUPLING NUT RETENTION FORCE	>60 lbs
DURABILITY	>500 cycles

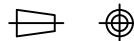
ENVIRONMENTAL PARAMETER	
TEMPERATURE RANGE	-40 °C~+85 °C

**\* CUSTOMER OUTLINE DRAWING**

UNLESS OTHERWISE SPECIFIED:

- 1) EDGES : C0.15 MAX ;
- 2) REMOVE ALL BURRS ;
- 3) SURFACE ROUGHNESS : Ra1.6 ;
- 4) UNITS : mm ;
- 5) DIMENSIONS TOLERANCES  
 DECIMALS : .x ±0.3 .xx ±0.2 .xxx±0.1;  
 ANGLES : ± 5°.

THIRD ANGLE PROJECTION



APPROVED :

CUSTOMER P/N :

CHECKED :

SCALE :

DRAWING :

GUO

DATE : 2020-07-15

PAGE : 1/1



TITLE : 2.4mm MALE TO 3.5mm FEMALE ADAPTOR,50Ω

DRAWING NO. : 5P4M06S-P3F-003

COMPANY WEBSITE : www.slkcorp.com

CUSTOMER OUTLINE DRAWING