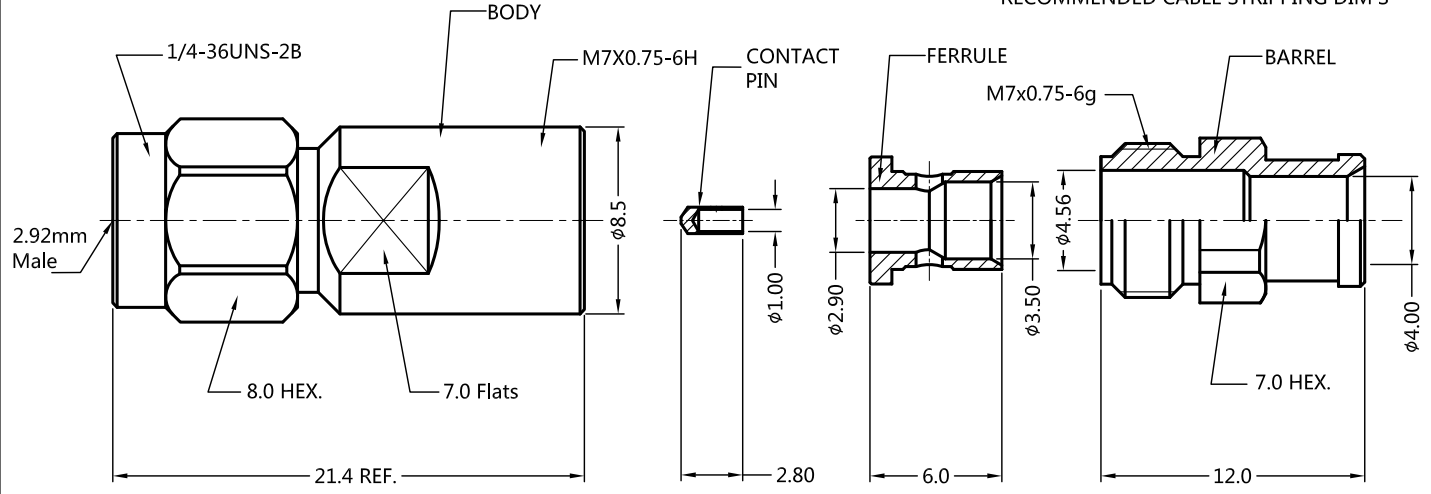
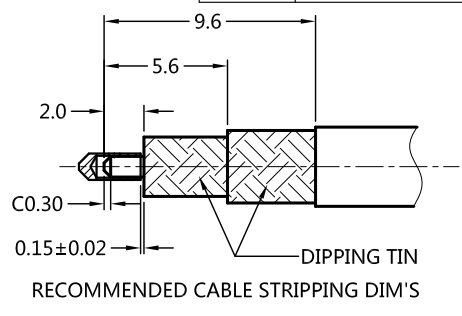


REV	DESCRIPTION	ECN NO	NAME	DATE
A0	FIRST EDITION	N/A	WANG	2017-12-05
A1	NEW FRAME	N/A	Liu	2020-07-04



ALL PARTS MUST MEET TO RoHS REQUIREMENTS

REMARKS:  
1.ADDS SIZE:14.24 mm  
2.CONTACT PIN &FERRULE TO SOLDER



MATERIALS AND PLATING		UNIT: MICRO-INCHES	ELECTRICAL CHARACTERISTICS	
BODY/SHELL	STAINLESS STEEL	PASSIVATION	IMPEDANCE	50 Ω
CONTACT PIN	Be-Cu C17300	GOLD 50 u"/COPPER	VOLTAGE RATING	175 V(rms)
INSULATOR	PEEK	N/A	FREQUENCY RANGE	DC~40 GHz
FERRULE	BRASS C3604	GOLD 10 u"/NICKEL/COPPER	DIELECTRIC WITHSTANDING VOLTAGE	>500 V
BARREL	STAINLESS STEEL	PASSIVATION	CONTACT RESISTANCE	CENTER CONTACT <3.0 mΩ
GASKET	SILICONE	RED		OUTER CONTACT <2.0 mΩ
<b>MECHANICAL CHARACTERISTICS</b> FORCE TO ENGAGE AND DISENGAGE N/A CENTER CONTACT RETENTION FORCE >6 lbs RECOMMENDED COUPLING TORQUE 7~10 in-lbs COUPLING NUT RETENTION FORCE >60 lbs DURABILITY >500 cycles			INSULATION RESISTANCE	>5000 MΩ
			INSERTION LOSS	<0.05√f dB
			VSWR	<1.20
			3RD INTERMODULATION	N/A
			<b>ENVIRONMENTAL CHARACTERISTICS</b> TEMPERATURE RANGE -40 °C~+125 °C THERMAL SHOCK MIL- STD 202, Meth. 107,Cond. B VIBRATION MIL- STD 202, Meth. 204,Cond. D SHOCK MIL- STD 202, Meth. 213,Cond. I	

\* CUSTOMER OUTLINE DRAWING

UNLESS OTHERWISE SPECIFIED:  
 1) C0.15 MAX;  
 2) REMOVE ALL BURRS;  
 3) SURFACE ROUGHNESS : Ra1.6;  
 4) UNITS:mm;  
 5) DIMENSIONS TOLERANCES  
 DECIMALS .x ±0.3 .xx ±0.2 .xxx±0.1  
 ANGLES ±5°

THIRD ANGLE PROJECTION		
APPROVED:	CUSTOMER P/N:	
CHECKED:	SCALE:	
DRAWING:	DATE: 2020-07-04	
COMPANY WEBSITE: www.slkcorp.com		

TITLE: 2.92mm MALE S/T CLAMP FOR SBEND-360 CABLE,50Ω  
 DRAWING NO: 5P9M15S-A542

CUSTOMER OUTLINE DRAWING