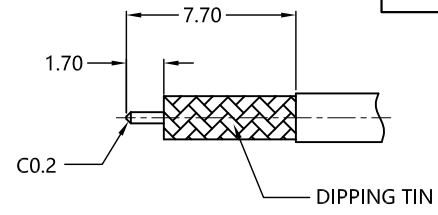


| REV. | DESCRIPTION | ECN NO. | NAME | DATE       |
|------|-------------|---------|------|------------|
| A1   | NEW FRAME   | N/A     | JING | 2020-08-13 |

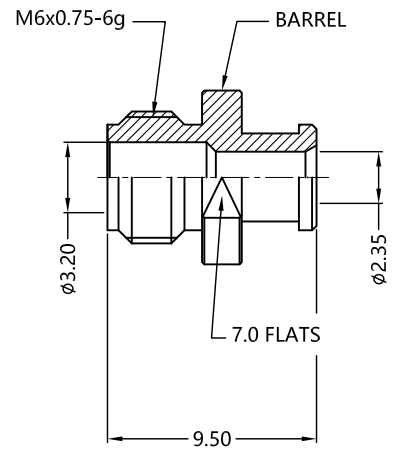
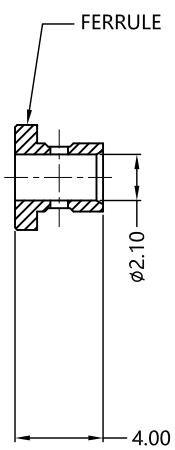
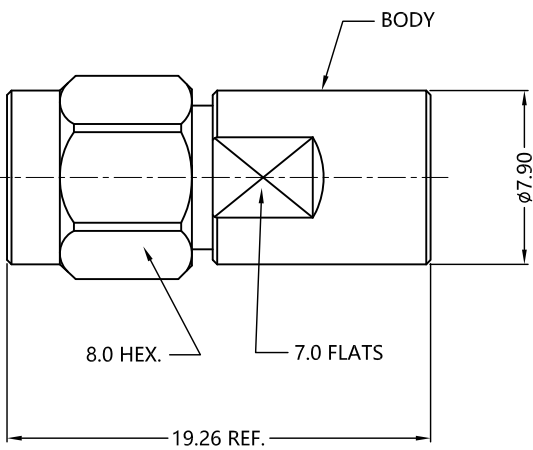


ALL PARTS MUST MEET TO RoHS REQUIREMENTS

REMARKS:  
 1.ADDS SIZE:12.5mm  
 2.CONTACT PIN TO CAPTIVE  
 3.FERRULE TO SOLDER



RECOMMENDED CABLE STRIPPING DIM'S



| MATERIALS AND PLATING |                 | UNIT: MICRO-INCHES      |
|-----------------------|-----------------|-------------------------|
| PART NAME             | MATERIALS       | PLATING                 |
| BODY/SHELL            | STAINLESS STEEL | PASSIVATION             |
| INSULATOR             | PEI             | N/A                     |
| CONTACT PIN           | BRASS C3604     | GOLD 50u"/COPPER        |
| FERRULE               | BRASS           | GOLD 10u"/NICKEL/COPPER |
| BARREL                | STAINLESS STEEL | PASSIVATION             |

| ELECTRICAL CHARACTERISTICS      |                        |
|---------------------------------|------------------------|
| IMPEDANCE                       | 50 Ω                   |
| VOLTAGE RATING                  | 335 V(rms)             |
| FREQUENCY RANGE                 | 0 ~ 40 GHz             |
| DIELECTRIC WITHSTANDING VOLTAGE | >500 V                 |
| CONTACT RESISTANCE              | CENTER CONTACT         |
|                                 | OUTER CONTACT          |
| INSULATION RESISTANCE           | >5000 MΩ               |
| INSERTION LOSS                  | According to the cable |
| RF-LEAKAGE                      | N/A                    |
| VSWR                            | <1.3                   |
| 3RD INTERMODULATION             | N/A                    |

| MECHANICAL CHARACTERISTICS     |                |
|--------------------------------|----------------|
| FORCE TO ENGAGE AND DISENGAGE  | N/A            |
| CENTER CONTACT RETENTION FORCE | >6 lbs         |
| RECOMMENDED COUPLING TORQUE    | 5.3-8.9 in-lbs |
| COUPLING NUT RETENTION FORCE   | >60 lbs        |
| DURABILITY                     | >500 cycles    |

| ENVIRONMENTAL PARAMETER |                  |
|-------------------------|------------------|
| TEMPERATURE RANGE       | -40 °C ~ +125 °C |
| WATERPROOF              | IP 67            |
| SALT SPRAY              | 48 H             |

\* CUSTOMER OUTLINE DRAWING

UNLESS OTHERWISE SPECIFIED:  
 1) EDGES : C0.15 MAX ;  
 2) REMOVE ALL BURRS ;  
 3) SURFACE ROUGHNESS : Ra1.6 ;  
 4) UNITS : mm ;  
 5) DIMENSIONS TOLERANCES  
 DECIMALS : .x ±0.3 .xx ±0.2 .xxx±0.1;  
 ANGLES : ± 5°.

|                        |                |
|------------------------|----------------|
| THIRD ANGLE PROJECTION |                |
| APPROVED :             | CUSTOMER P/N : |
| CHECKED :              | SCALE :        |
| DRAWING :              | DATE :         |
| JING                   | 2020-08-13     |
| PAGE : 1/1             |                |

TITLE : 2.92mm MALE S/T SOLDER FOR HF-090 CABLE, 50Ω  
 DRAWING NO. : 5P9M15S-A570  
 COMPANY WEBSITE : www.slkcorp.com

CUSTOMER OUTLINE DRAWING