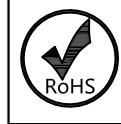
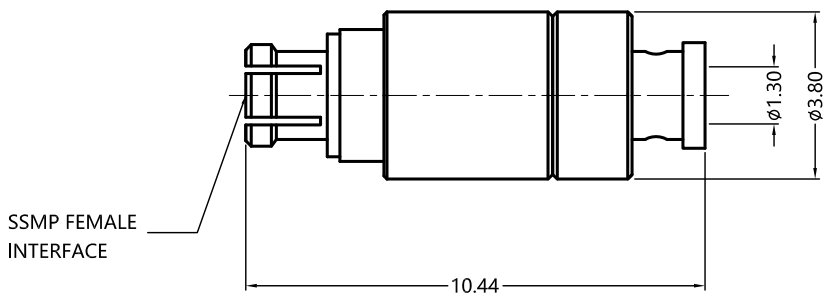


REV.	DESCRIPTION	ECN NO.	NAME	DATE
1	NEW FRAME	N/A	JING	2020-09-17



ALL PARTS MUST MEET TO RoHS REQUIREMENTS

REMARKS:
1.CONTACT PIN TO CAPTIVE
2.BODY TO SOLDER



MATERIALS AND PLATING		UNIT: MICRO-INCHES
PART NAME	MATERIALS	PLATING
BODY	BRASS C3604	GOLD 10u"/NICKEL/COPPER
INSULATOR	PEEK	N/A
CONTACT PIN	BERYLLIUM COPPER	GOLD 50u"/COPPER

ELECTRICAL CHARACTERISTICS	
IMPEDANCE	50 Ω
VOLTAGE RATING	335 V(rms)
FREQUENCY RANGE	0 ~ 6 GHz
DIELECTRIC WITHSTANDING VOLTAGE	> 500 V
CONTACT RESISTANCE	CENTER CONTACT < 6.0 m Ω
	OUTER CONTACT < 2.0 m Ω
INSULATION RESISTANCE	> 1000 M Ω
INSERTION LOSS	N/A
RF-LEAKAGE	N/A
VSWR	< 1.30
3RD INTERMODULATION	N/A

MECHANICAL CHARACTERISTICS	
FORCE TO ENGAGE AND DISENGAGE	N/A
CENTER CONTACT RETENTION FORCE	> 1.5 lbs
RECOMMENDED COUPLING TORQUE	N/A
COUPLING NUT RETENTION FORCE	N/A
DURABILITY	> 100 cycles (FD) > 500 cycles (SB)

ENVIRONMENTAL PARAMETER	
TEMPERATURE RANGE	-40 °C ~ +125 °C

*** CUSTOMER OUTLINE DRAWING**

UNLESS OTHERWISE SPECIFIED:
 1) EDGES : C0.15 MAX ;
 2) REMOVE ALL BURRS ;
 3) SURFACE ROUGHNESS : Ra1.6 ;
 4) UNITS : mm ;
 5) DIMENSIONS TOLERANCES
 DECIMALS : .x ± 0.3 .xx ± 0.2 .xxx ± 0.1 ;
 ANGLES : $\pm 5^\circ$.

THIRD ANGLE PROJECTION		
APPROVED :	CUSTOMER P/N :	-
CHECKED :	SCALE :	3 : 1
DRAWING :	DATE :	2020-09-17
JING	PAGE :	1/1



TITLE : SSMP FEMALE S/T FOR .047 CABLE,50 Ω

DRAWING NO. : 5MPF15S-A353

COMPANY WEBSITE : www.slkcorp.com

CUSTOMER OUTLINE DRAWING