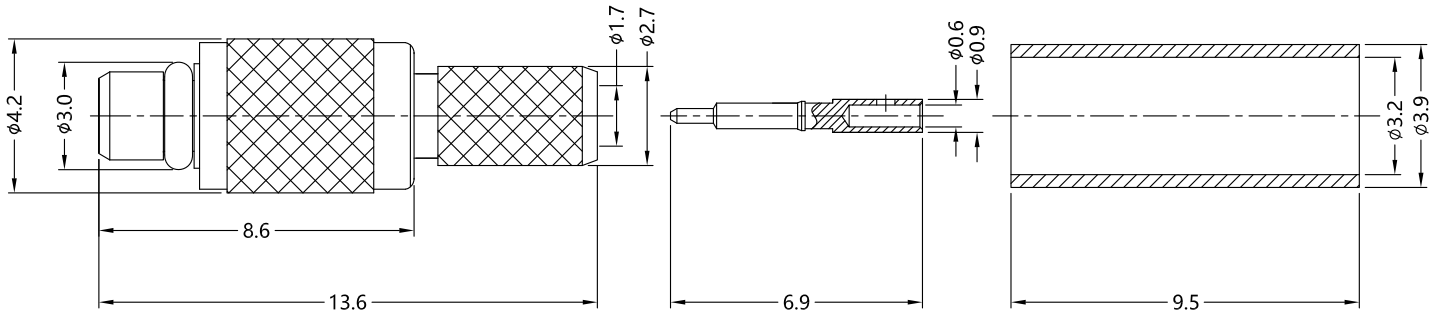
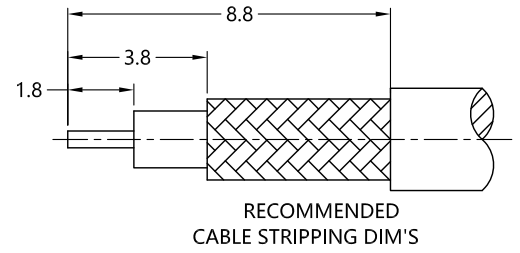


REV	DESCRIPTION	ECN NO	NAME	DATE
A0	FIRST EDITION	N/A	YWD	2017-08-30
A1	NEW FRAME	N/A	Liu	2020-09-18



ALL PARTS MUST MEET TO RoHS REQUIREMENTS

1. CRIMPED FERRULE HEX. CRIMP SIZE .130"
2. CONTACT PIN TO SOLDER



MATERIALS AND PLATING		UNIT: MICRO-INCHES	ELECTRICAL CHARACTERISTICS	
BODY	BRASS C3604	GOLD 10 u" /NICKEL/COPPER	IMPEDANCE	50 Ω
CONTACT PIN	BRASS C3604	GOLD 30 u" /NICKEL/COPPER	VOLTAGE RATING	175 V(rms)
INSULATOR	PTFE ASTM-D-1710	N/A	FREQUENCY RANGE	0~3 GHz
C RING	Be-Cu C17300	GOLD 10 u" /NICKEL/COPPER	DIELECTRIC WITHSTANDING VOLTAGE	>500 V
FERRULE	BRASS C3604	GOLD 10 u" /NICKEL/COPPER	CONTACT RESISTANCE	CENTER CONTACT <5.0 m Ω
				OUTER CONTACT <2.5 m Ω
			INSULATION RESISTANCE	>500 M Ω
			INSERTION LOSS	<0.10 $\times \sqrt{F(\text{GHz})}$ dB
			VSWR	<1.30
			3RD INTERMODULATION	N/A

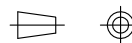
MECHANICAL CHARACTERISTICS	
ENGAGEMENT FORCE	<4 lbs
DISENGAGE FORCE	1.35~4 lbs
CENTER CONTACT RETENTION FORCE	N/A
DURABILITY	>500 cycles

ENVIRONMENTAL CHARACTERISTICS	
TEMPERATURE RANGE	-40 °C ~ +165 °C

*** CUSTOMER OUTLINE DRAWING**

UNLESS OTHERWISE SPECIFIED:
 1) C0.15 MAX;
 2) REMOVE ALL BURRS;
 3) SURFACE ROUGHNESS : Ra1.6;
 4) UNITS:mm;
 5) DIMENSIONS TOLERANCES
 DECIMALS .x \pm 0.3 .xx \pm 0.2 .xxx \pm 0.1
 ANGLES \pm 5°

THIRD ANGLE PROJECTION



APPROVED:

CUSTOMER P/N:

CHECKED:

SCALE:

5:1

DRAWING:

DATE: 2020-09-18

COMPANY WEBSITE: www.slkcorp.com



TITLE: MMCX MALE S/T CRIMP FOR RG316/U CABLE,50 Ω

DRAWING NO: 5MCM11S-A02-011

CUSTOMER OUTLINE DRAWING