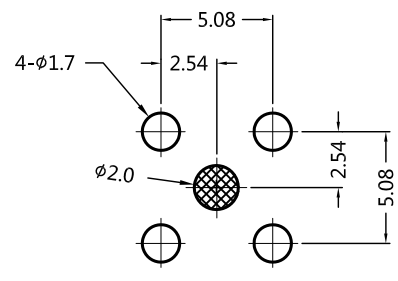
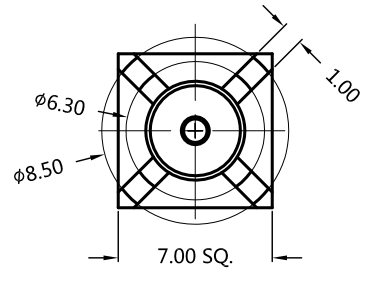


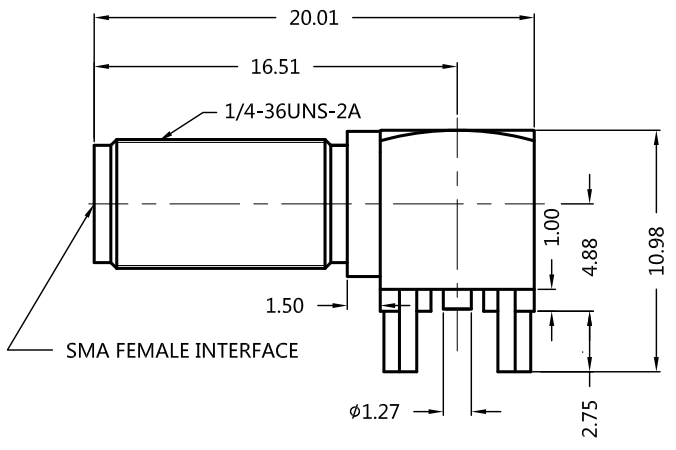
REV.	DESCRIPTION	ECN NO.	NAME	DATE
0-2	UPDATE DRAWING	N/A	YY	2011-12-20
3	UPDATE DRAWING	N/A	QGZ	2020-06-20



ALL PARTS MUST MEET TO RoHS REQUIREMENTS



RECOMMENDED MOUNTING HOLE DIM'S



SMA FEMALE INTERFACE

MATERIALS AND PLATING		UNIT: MICRO-INCHES
BODY	BRASS C3604	GOLD/NICKEL/COPPER
CONTACT PIN	Be-Cu C17300	GOLD/NICKEL /COPPER
INSULATOR	PTFE MIL-P-19468	N/A

ELECTRICAL CHARACTERISTICS	
IMPEDANCE	50 Ω
VOLTAGE RATING	500 V(rms)
FREQUENCY RANGE	0 ~ 18 GHz
DIELECTRIC WITHSTANDING VOLTAGE	>1000 V
CONTACT RESISTANCE	CENTER CONTACT <3.0 mΩ
	OUTER CONTACT <2.0 mΩ
INSULATION RESISTANCE	>5000 MΩ
INSERTION LOSS	According as the cable
VSWR	N/A
3RD INTERMODULATION	N/A

MECHANICAL CHARACTERISTICS	
FORCE TO ENGAGE AND DISENGAGE	N/A
CENTER CONTACT RETENTION FORCE	>6 lbs
RECOMMENDED COUPLING TORQUE	15 in-lbs
COUPLING NUT RETENTION FORCE	60 lbs
DURABILITY	>500cycles

ENVIRONMENTAL PARAMETER	
TEMPERATURE RANGE	-40 °C~+125 °C
THERMAL SHOCK	MIL- STD 202, Meth. 107,Cond. B
VIBRATION	MIL- STD 202, Meth. 204,Cond. D
SHOCK	MIL- STD 202, Meth. 213,Cond. I

* CUSTOMER OUTLINE DRAWING

UNLESS OTHERWISE SPECIFIED:
 1) EDGES : C0.15 MAX ;
 2) REMOVE ALL BURRS ;
 3) SURFACE ROUGHNESS : Ra1.6 ;
 4) UNITS : mm ;
 5) DIMENSIONS TOLERANCES
 DECIMALS : .x ±0.3 .xx ±0.2 .xxx±0.1;
 ANGLES : ± 5°.

THIRD ANGLE PROJECTION	
APPROVED :	CUSTOMER P/N :
CHECKED :	SCALE :
DRAWING :	DATE :
PAGE : 1/1	



TITLE : SMA FEMALE R/A FOR PCB MOUNTING, 50Ω
 DRAWING NO. : 5MAF25R-P04-004
 COMPANY WEBSITE : www.slkcorp.com

CUSTOMER OUTLINE DRAWING