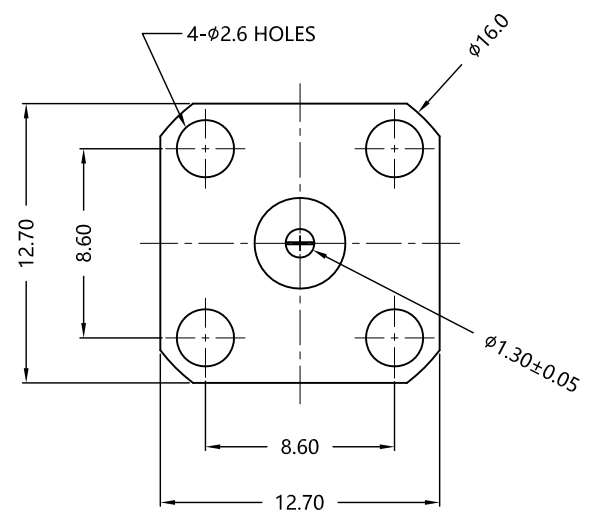
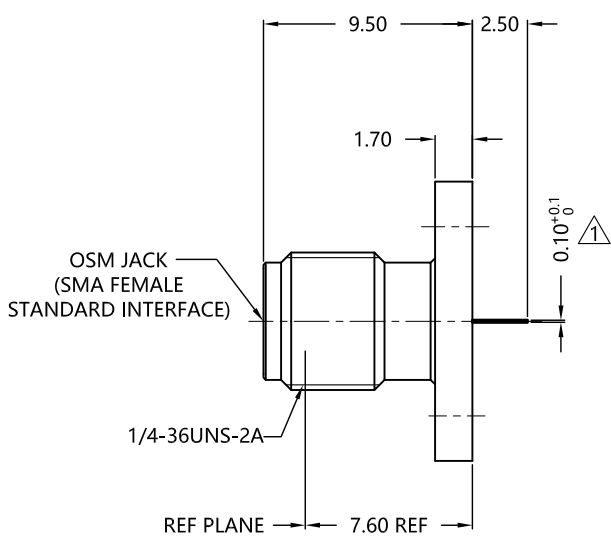


REV.	DESCRIPTION	ECN NO.	NAME	DATE
0	FIRST EDITION	N/A	PY	2020-06-03
1	UPDATE DRAWING	N/A	PY	2020-07-06



ALL PARTS MUST MEET TO RoHS REQUIREMENTS



- NOTES: FINISH (PLATING THICKNESS IN MICRO-INCHES)
1. BRASS C3604
  2. PTFE ASTM-D-1710, TYPE 1, GRADE 1, CLASS A
  3. BERYLLIUM COPPER C17300
  4. GOLD PL.30u" MIN. OVER NICKEL PL. 100-200u". THICK OVER COPPER S TRIKE
  5. GOLD PL.50u" MIN. OVER NICKEL PL. 100-200u". THICK OVER COPPER STRIKE

MATERIALS AND PLATING		UNIT: MICRO-INCHES
PART NAME	MATERIALS	PLATING
BODY	STAINLESS STEEL 303	PASSIVATE
INSULATOR	PTFE MIL-P-19468	N/A
CONTACT PIN	BERYLLIUM COPPER C17300	GOLD 30u" /COPPER

ELECTRICAL CHARACTERISTICS	
IMPEDANCE	50 Ω
VOLTAGE RATING	335 V(rms)
FREQUENCY RANGE	0 ~ 18 GHz
DIELECTRIC WITHSTANDING VOLTAGE	>1000 V
CONTACT RESISTANCE	CENTER CONTACT
	OUTER CONTACT
INSULATION RESISTANCE	>5000 MΩ
INSERTION LOSS	<0.05√F(GHZ) dB
VSWR	<1.2 @ 0~18 GHz
3RD INTERMODULATION	N/A

MECHANICAL CHARACTERISTICS	
FORCE TO ENGAGE AND DISENGAGE	<6 lbs
CENTER CONTACT RETENTION FORCE	>6 lbs
RECOMMENDED COUPLING TORQUE	N/A
COUPLING NUT RETENTION FORCE	N/A
DURABILITY	>500cycles

ENVIRONMENTAL PARAMETER	
TEMPERATURE RANGE	-40 °C~+125 °C
THERMAL SHOCK	MIL- STD 202, Meth. 107,Cond. B
VIBRATION	MIL- STD 202, Meth. 204,Cond. B
SHOCK	MIL- STD 202, Meth. 213,Cond. I

**\* CUSTOMER OUTLINE DRAWING**

UNLESS OTHERWISE SPECIFIED:  
 1) EDGES : C0.15 MAX ;  
 2) REMOVE ALL BURRS ;  
 3) SURFACE ROUGHNESS : Ra1.6 ;  
 4) UNITS : mm ;  
 5) DIMENSIONS TOLERANCES  
 DECIMALS : .x ±0.3 .xx ±0.2 .xxx±0.1;  
 ANGLES : ± 5°.

THIRD ANGLE PROJECTION		
APPROVED :	CUSTOMER P/N :	-
CHECKED :	SCALE :	1 : 1
DRAWING :	DATE :	2020-07-06
PAGE : 1/1		

TITLE : SMA FEMALE STR FOR PCB MOUNT  
 DRAWING NO. : 5MAF85S-H41-031  
 COMPANY WEBSITE : www.slkcorp.com

CUSTOMER OUTLINE DRAWING