
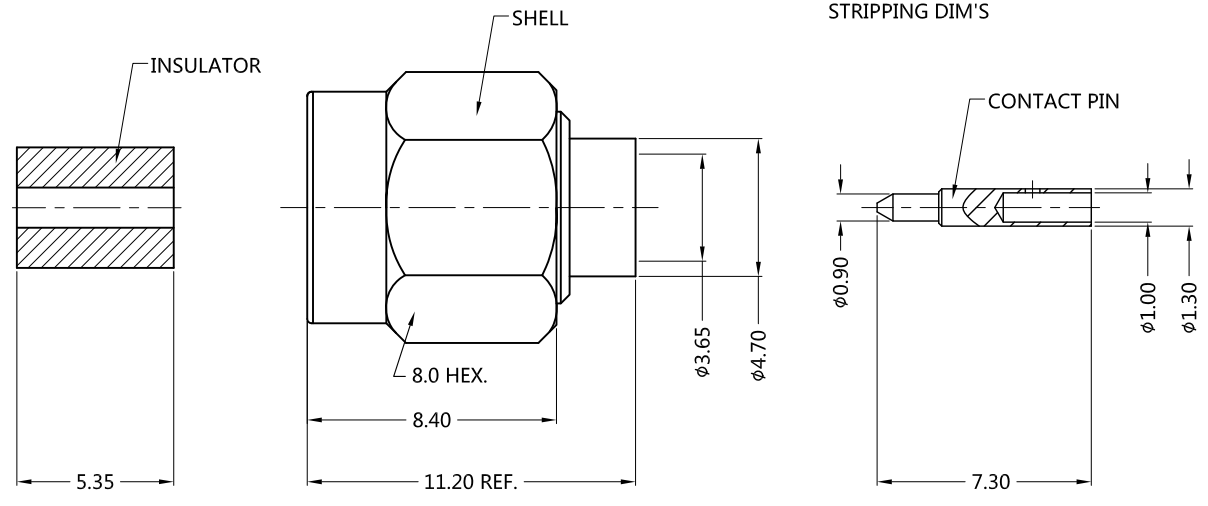
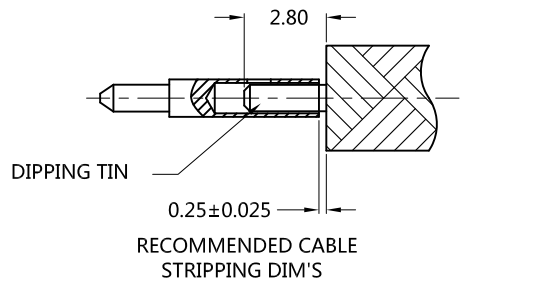


REV.	DESCRIPTION	ECN NO.	NAME	DATE	 ALL PARTS MUST MEET TO RoHS REQUIREMENTS
A0	FIRST EDITION	N/A	YWD	2017-05-04	
A1	NEW FRAME	N/A	LEI CHAO	2020-06-23	



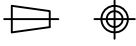

MATERIALS AND PLATING		UNIT: MICRO-INCHES
PART NAME	MATERIALS	PLATING
BODY	SUS303Cu	GOLD 3u"/NICKEL
INSULATOR	PTFE ASTM-D-1710	N/A
CONTACT PIN	BRASS C3604	GOLD 30u"/NICKEL/COPPER
SHELL	SUS303Cu	GOLD 3u"/NICKEL

ELECTRICAL CHARACTERISTICS	
IMPEDANCE	50 Ω
VOLTAGE RATING	335 V(rms)
FREQUENCY RANGE	DC ~ 18 GHz
DIELECTRIC WITHSTANDING VOLTAGE	>1000 V
CONTACT RESISTANCE	CENTER CONTACT
	OUTER CONTACT
INSULATION RESISTANCE	>5000 MΩ
INSERTION LOSS	<0.06 dB @1.5 GHz
VSWR	<1.35 @ 4 GHz
3RD INTERMODULATION	N/A

MECHANICAL CHARACTERISTICS	
FORCE TO ENGAGE AND DISENGAGE	N/A
CENTER CONTACT RETENTION FORCE	N/A
RECOMMENDED COUPLING TORQUE	7-10 in-lbs
COUPLING NUT RETENTION FORCE	>60 lbs
DURABILITY	> 500cycles

ENVIRONMENTAL PARAMETER	
TEMPERATURE RANGE	-65 °C~+165 °C
CORROSION	US MIL- STD 202, Meth. 101,Cond. B
VIBRATION	US MIL- STD 202, Meth. 204,Cond. D
SHOCK	US MIL- STD 202, Meth. 213,Cond. I

CUSTOMER OUTLINE DRAWING

* CUSTOMER OUTLINE DRAWING		THIRD ANGLE PROJECTION 		
UNLESS OTHERWISE SPECIFIED:				CUSTOMER P/N :
1) EDGES : C0.15 MAX ;				SCALE :
2) REMOVE ALL BURRS ;				DATE : 2020-06-23
3) SURFACE ROUGHNESS : Ra1.6 ;		PAGE : 1/1	TITLE : SMA MALE S/T SOLDER FOR .086 CABLE ,50 Ω	
4) UNITS : mm ;			DRAWING NO. :	
5) DIMENSIONS TOLERANCES			5MAM15S-S02-078	
DECIMALS : .x ±0.3 .xx ±0.2 .xxx±0.1;			COMPANY WEBSITE : www.slkcorp.com	
ANGLES : ± 5°.				