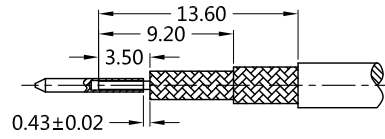
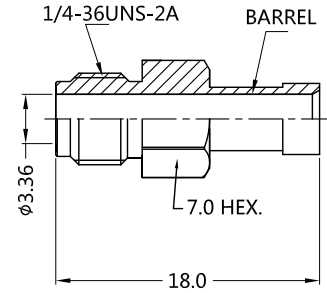
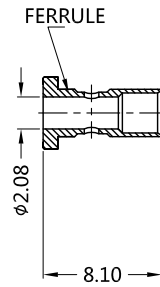
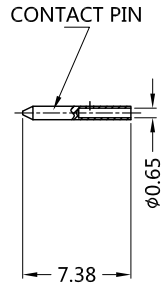
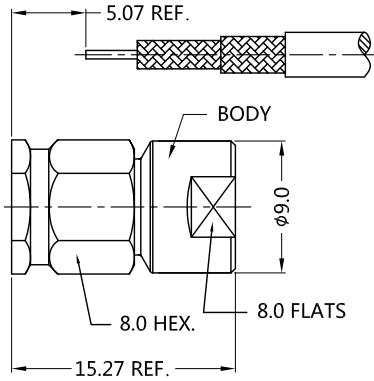


REV.	DESCRIPTION	ECN NO.	NAME	DATE			
1	ADD PART NAME	N/A	CLOUD	2016-02-25			
2	NEW FRAME	N/A	JING	2020-07-13			ALL PARTS MUST MEET TO RoHS REQUIREMENTS

REMARKS:  
1. CONTACT PIN TO SOLDER



RECOMMENDED CABLE STRIPPING DIM'S



MATERIALS AND PLATING UNIT: MICRO-INCHES			ELECTRICAL CHARACTERISTICS	
PART NAME	MATERIALS	PLATING		
BODY/SHELL	STAINLESS STEEL	PASSIVATION	IMPEDANCE	50 Ω
INSULATOR	PTFE ASTM-D-1710	N/A	VOLTAGE RATING	335 V(rms)
CONTACT PIN	Be-Cu C17300	GOLD 50u"/NICKEL/COPPER	FREQUENCY RANGE	0 ~ 18 GHz
BARREL	STAINLESS STEEL	PASSIVATION	DIELECTRIC WITHSTANDING VOLTAGE	>500 V
FERRULE	BRASS	GOLD 10u"/NICKEL/COPPER	CONTACT RESISTANCE	CENTER CONTACT <3.0 mΩ OUTER CONTACT <2.0 mΩ
			INSULATION RESISTANCE	>5000 MΩ
			INSERTION LOSS	According as the cable
			RF-LEAKAGE	N/A
			VSWR	<1.30
			3RD INTERMODULATION	N/A
MECHANICAL CHARACTERISTICS			ENVIRONMENTAL PARAMETER	
FORCE TO ENGAGE AND DISENGAGE		N/A	TEMPERATURE RANGE	-40 °C ~ +125 °C
CENTER CONTACT RETENTION FORCE		N/A		
RECOMMENDED COUPLING TORQUE		7-10 in-lbs		
COUPLING NUT RETENTION FORCE		>60 lbs		
DURABILITY		>500 cycles		

\* CUSTOMER OUTLINE DRAWING

UNLESS OTHERWISE SPECIFIED:  
1) EDGES : C0.15 MAX ;  
2) REMOVE ALL BURRS ;  
3) SURFACE ROUGHNESS : Ra1.6 ;  
4) UNITS : mm ;  
5) DIMENSIONS TOLERANCES  
DECIMALS : .x ±0.3 .xx ±0.2 .xxx±0.1;  
ANGLES : ± 5°.

THIRD ANGLE PROJECTION



APPROVED :

CUSTOMER P/N :

CHECKED :

SCALE :

2 : 1

DRAWING :

JING

DATE : 2020-07-13

PAGE : 1/1



TITLE : SMA MALE S/T SOLDER FOR SFT-316 CABLE, 50Ω

DRAWING NO. : 5MAM13S-A120-001

COMPANY WEBSITE : www.slkcorp.com

CUSTOMER OUTLINE DRAWING