
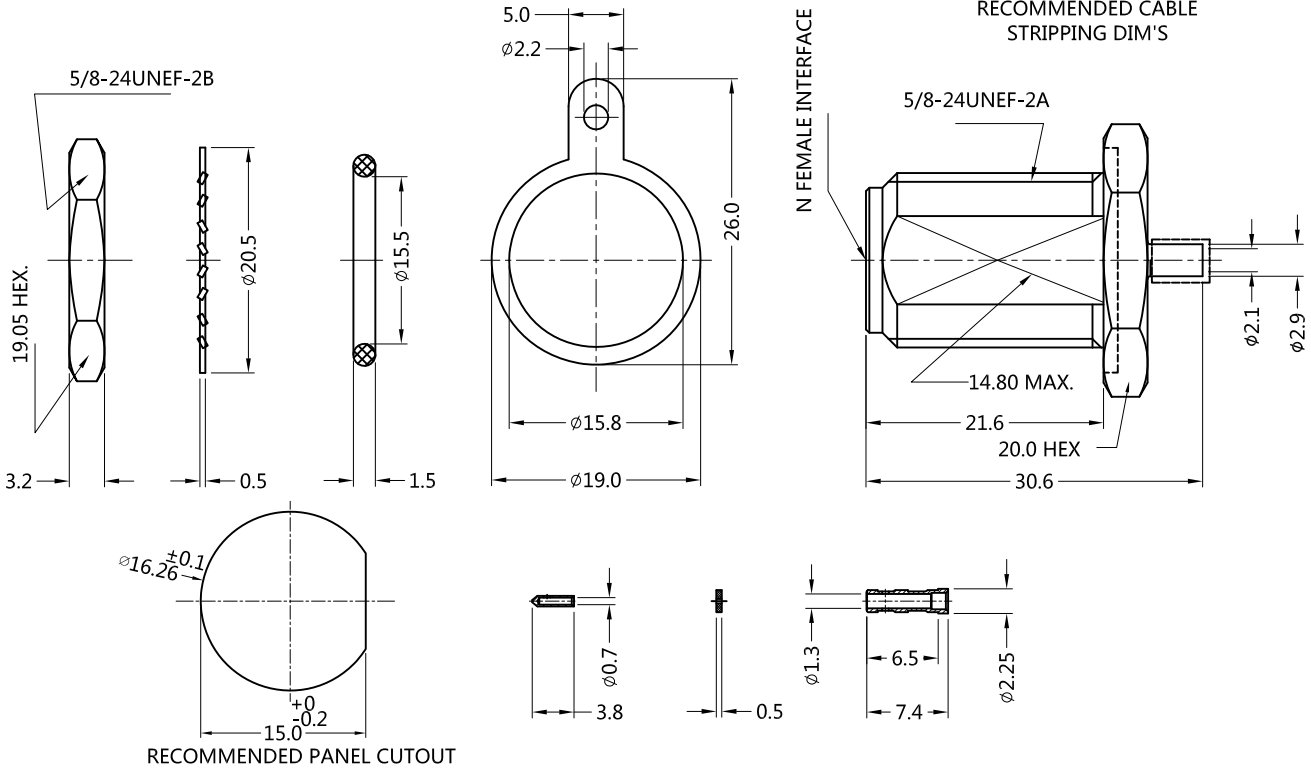
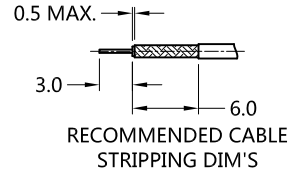


|      |             |         |      |           |  |
|------|-------------|---------|------|-----------|--|
| REV. | DESCRIPTION | ECN NO. | NAME | DATE      | <br>ALL PARTS MUST MEET TO RoHS REQUIREMENTS |
| 1    | NEW FRAME   | N/A     | LDH  | 2020-7-14 |  |
|      |             |         |      |           |  |

REMARK:  
1. CRIMPED FERRULE HEX. CRIMP SIZE .100"  
2. CONTACT PIN TO SOLDER  
3. PANEL THICKNESS: 13.0 mm MAX.



| MATERIALS AND PLATING |                  | UNIT: MICRO-INCHES     |
|-----------------------|------------------|------------------------|
| PART NAME             | MATERIALS        | PLATING                |
| BODY                  | BRASS C3604      | NICKEL 100u"/COPPER    |
| INSULATOR             | PTEF ASTM-D-1710 | N/A                    |
| CONTACT PIN           | PHOSPHOR BRONZE  | GOLD 5u"/NICKEL/COPPER |
| GASKET                | SILICONE         | RED                    |
| FERRULE               | BRASS            | GOLD 3u"/NICKEL/COPPER |
| OTHER                 | BRASS            | NICKEL 100u"/COPPER    |

| ELECTRICAL CHARACTERISTICS      |  |
|---------------------------------|--|
| IMPEDANCE                       | 50 Ω                                   |
| VOLTAGE RATING                  | 500 V(rms)                             |
| FREQUENCY RANGE                 | 0 ~ 6 GHz                              |
| DIELECTRIC WITHSTANDING VOLTAGE | >60 VAC, HI-POT AT 150VDC FOR 100mS    |
| CONTACT RESISTANCE              | CENTER CONTACT <2.0 mΩ                 |
|                                 | OUTER CONTACT <2.0 mΩ                  |
| INSULATION RESISTANCE           | >50 MΩ                                 |
| INSERTION LOSS                  | N/A                                    |
| VSWR                            | <1.2@0.9GHz, <1.5@2.44GHz, <2.0@5.9GHz |
| 3RD INTERMODULATION             | N/A                                    |

| MECHANICAL CHARACTERISTICS     |             |
|--------------------------------|-------------|
| FORCE TO ENGAGE AND DISENGAGE  | N/A         |
| CENTER CONTACT RETENTION FORCE | >6 lbs      |
| RECOMMENDED COUPLING TORQUE    | N/A         |
| COUPLING NUT RETENTION FORCE   | N/A         |
| DURABILITY                     | >500 cycles |

| ENVIRONMENTAL PARAMETER |                                     |
|-------------------------|-------------------------------------|
| TEMPERATURE RANGE       | -40°C ~ +90 °C                      |
| THERMAL SHOCK           | US MIL- STD 202, METH. 107, COND. B |
| VIBRATION               | US MIL- STD 202, METH. 204, COND. B |
| SHOCK                   | US MIL- STD 202, METH. 213, COND. I |
| WATERPROOF              | IP67                                |
| REFERENCE STANDARD      | MIL-C-39012                         |

**\* CUSTOMER OUTLINE DRAWING**

UNLESS OTHERWISE SPECIFIED:  
1) EDGES : C0.15 MAX ;  
2) REMOVE ALL BURRS ;  
3) SURFACE ROUGHNESS : Ra1.6 ;  
4) UNITS : mm ;  
5) DIMENSIONS TOLERANCES  
DECIMALS : .x ±0.3 .xx ±0.2 .xxx±0.1;  
ANGLES : ± 5°.

|                        |                |
|------------------------|----------------|
| THIRD ANGLE PROJECTION |                |
| APPROVED :             | CUSTOMER P/N : |
| CHECKED :              | SCALE :        |
| DRAWING :              | DATE :         |
| LDH                    | 2020-7-14      |
|                        | PAGE : 1/1     |



TITLE : N FEMALE S/T SOLDER FOR 1.37 CABLE, 50Ω  
DRAWING NO. : 5NCF35S-A72-001  
COMPANY WEBSITE : www.slkcorp.com

CUSTOMER OUTLINE DRAWING