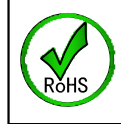
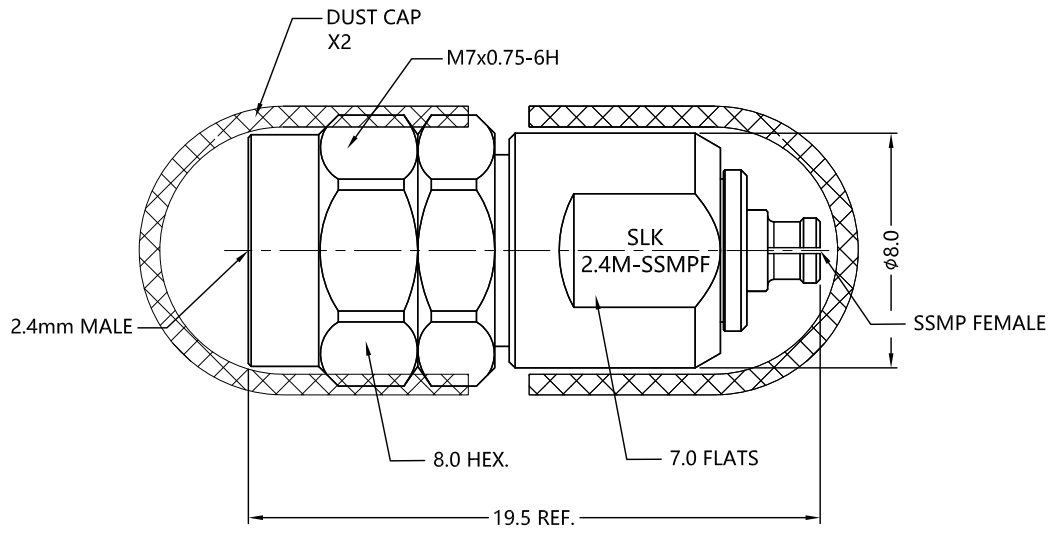


| | | | | |
|------|---------------|---------|------|------------|
| REV. | DESCRIPTION | ECN NO. | NAME | DATE |
| 0 | FIRST EDITION | N/A | Liu | 2020-09-02 |



ALL PARTS MUST MEET TO RoHS REQUIREMENTS



| MATERIALS AND PLATING UNIT: MICRO-INCHES | | |
|--|-----------------|--------------------------|
| PART NAME | MATERIALS | PLATING |
| BODY/SHELL | STAINLESS STEEL | PASSIVATION |
| INSULATOR | PEI | N/A |
| CONTACT PIN | Be-Cu C17300 | GOLD 50 u"/NICKEL/COPPER |
| OUT CONTACT | Be-Cu C17300 | GOLD 10 u"/NICKEL/COPPER |

| ELECTRICAL CHARACTERISTICS | | |
|---------------------------------|----------------|---------|
| IMPEDANCE | 50 Ω | |
| VOLTAGE RATING | N/A | |
| FREQUENCY RANGE | DC ~ 50 GHz | |
| DIELECTRIC WITHSTANDING VOLTAGE | >500 V | |
| CONTACT RESISTANCE | CENTER CONTACT | <6.0 mΩ |
| | OUTER CONTACT | <2.0 mΩ |
| INSULATION RESISTANCE | >1000 MΩ | |
| INSERTION LOSS | <0.8 dB | |
| VSWR | <1.30 | |
| 3RD INTERMODULATION | N/A | |

| MECHANICAL CHARACTERISTICS | | |
|--------------------------------|-------------|-------------|
| CENTER CONTACT RETENTION FORCE | | >6 lbs |
| ENGAGEMENT FORCE (SSMP) | FULL DETENT | <4.5 lbs |
| | SMOOTH BORE | <2.5 lbs |
| DISENGAGEMENT FORCE (SSMP) | FULL DETENT | <6.5 lbs |
| | SMOOTH BORE | <1.5 lbs |
| DURABILITY (SSMP) | FULL DETENT | >100 cycles |
| | SMOOTH BORE | >500 cycles |
| DURABILITY (2.4mm) | | >500 cycles |

| ENVIRONMENTAL PARAMETER | |
|-------------------------|----------------|
| TEMPERATURE RANGE | -40 °C~+165 °C |

CUSTOMER OUTLINE DRAWING

*** CUSTOMER OUTLINE DRAWING**

UNLESS OTHERWISE SPECIFIED:
 1) EDGES : C0.15 MAX ;
 2) REMOVE ALL BURRS ;
 3) SURFACE ROUGHNESS : Ra1.6 ;
 4) UNITS : mm ;
 5) DIMENSIONS TOLERANCES
 DECIMALS : .x ±0.3 .xx ±0.2 .xxx±0.1;
 ANGLES : ± 5°.

| | | |
|------------------------|----------------|------------|
| THIRD ANGLE PROJECTION | | |
| APPROVED : | CUSTOMER P/N : | - |
| CHECKED : | SCALE : | 4 : 1 |
| DRAWING : | DATE : | 2020-09-02 |
| PAGE : 1/1 | | |

TITLE : 2.4mm MALE TO SSMP FEMALE ADAPTER,50Ω

DRAWING NO. : 5MPF06S-P4M

COMPANY WEBSITE : www.slkcorp.com