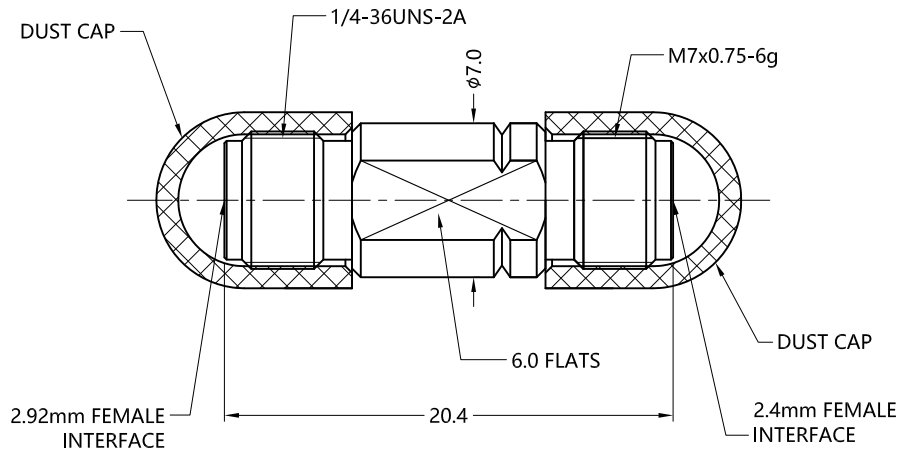


REV.	DESCRIPTION	ECN NO.	NAME	DATE
1	NEW FRAME	N/A	GUO	2020-07-11



ALL PARTS MUST MEET TO RoHS REQUIREMENTS



MATERIALS AND PLATING		UNIT: MICRO-INCHES
PART NAME	MATERIALS	PLATING
BODY	STAINLESS STEEL	PASSIVATION
INSULATOR	ENGINEERING PLASTICS	N/A
CONTACT PIN	BE-CU C17300	GOLD PL.50 u"/COPPER
DUST CAP	PVC	N/A

ELECTRICAL CHARACTERISTICS		
IMPEDANCE	50 Ω	
VOLTAGE RATING	175 V(rms)	
FREQUENCY RANGE	0 ~ 40 GHz	
DIELECTRIC WITHSTANDING VOLTAGE	> 500 V	
CONTACT RESISTANCE	CENTER CONTACT	< 3.0 mΩ
	OUTER CONTACT	< 0.15 mΩ
INSULATION RESISTANCE	> 5000 MΩ	
INSERTION LOSS	< 0.05x√F(GHz) dB	
VSWR	< 1.2	
3RD INTERMODULATION	N/A	

MECHANICAL CHARACTERISTICS	
FORCE TO ENGAGE AND DISENGAGE	N/A
CENTER CONTACT RETENTION FORCE	> 6 lbs
RECOMMENDED COUPLING TORQUE	N/A
COUPLING NUT RETENTION FORCE	N/A
DURABILITY	> 500 cycles

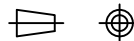
ENVIRONMENTAL PARAMETER	
TEMPERATURE RANGE	-40 °C ~ +85 °C

*** CUSTOMER OUTLINE DRAWING**

UNLESS OTHERWISE SPECIFIED:

- 1) EDGES : C0.15 MAX ;
- 2) REMOVE ALL BURRS ;
- 3) SURFACE ROUGHNESS : Ra1.6 ;
- 4) UNITS : mm ;
- 5) DIMENSIONS TOLERANCES
 DECIMALS : .x ±0.3 .xx ±0.2 .xxx±0.1;
 ANGLES : ± 5°.

THIRD ANGLE PROJECTION



APPROVED :

CUSTOMER P/N :

CHECKED :

SCALE :

DRAWING :

GUO

DATE : 2020-07-11

PAGE : 1/1



TITLE : 2.4mm FEMALE TO 2.92mm FEMALE ADAPTER,50Ω

DRAWING NO. : 5P4F06S-P9F-002

COMPANY WEBSITE : www.slkcorp.com

CUSTOMER OUTLINE DRAWING