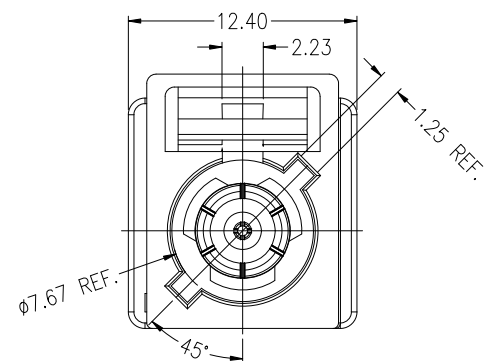
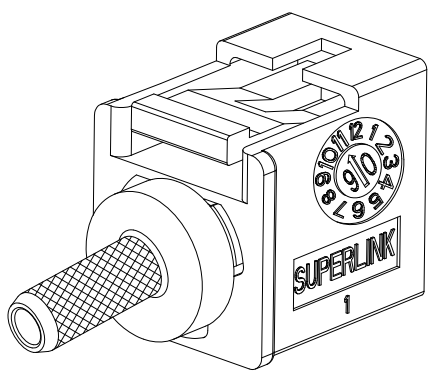
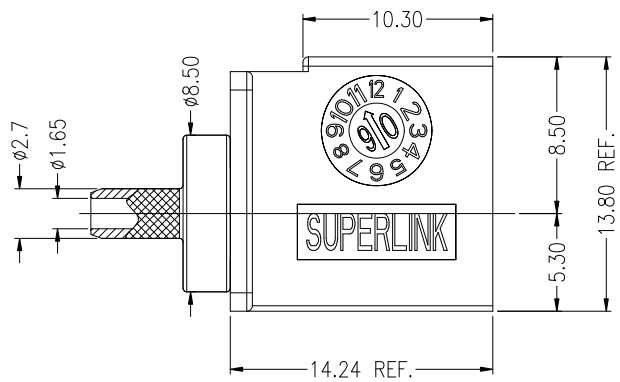
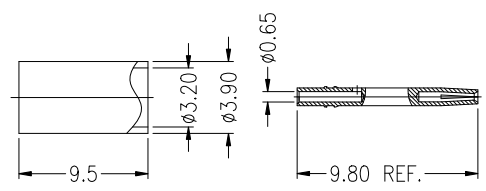


REV.	DESCRIPTION	ECN NO.	NAME	DATE
0	FIRST EDITION	N/A	Ming	2023-10-24



ALL PARTS MUST MEET TO RoHS REQUIREMENTS

- 1. CRIMPED FERRULE HEX.
- 2. CONTACT PIN TO SOLDER



FAKRA CODE : I
BEIGE

MATERIALS AND PLATING		UNIT: MICRO-INCHES
PART NAME	MATERIALS	PLATING
BODY	BRASS C3604	NICKEL 100u"/COPPER
INSULATOR	PTFE MIL-P-19468	N/A
CONTACT PIN	BERYLLIUM C17300	PL.GOLD15u"/COPPER
GASKET	SILICONE	N/A
FERRULE	BRASS C3604	NICKEL 100u"/COPPER

ELECTRICAL CHARACTERISTICS	
IMPEDANCE	50 Ω
VOLTAGE RATING	170 V(rms)
FREQUENCY RANGE	DC ~ 4 GHz
DIELECTRIC WITHSTANDING VOLTAGE	> 750 V
CONTACT RESISTANCE	CENTER CONTACT < 20 mΩ
	OUTER CONTACT < 10 mΩ
INSULATION RESISTANCE	> 1000 MΩ
INSERTION LOSS	< 0.1*√GHz
VSWR	< 1.4 @ 4 GHz
3RD INTERMODULATION	N/A

MECHANICAL CHARACTERISTICS	
CABLE RETENTION FORCE	> 15 Lbs
HOUSING AXIAL FORCE	> 25 Lbs
INSULATOR AXIAL FORCE	> 4 Lbf
COUPLING NUT RETENTION FORCE	N/A
DURABILITY	> 500cycles

ENVIRONMENTAL PARAMETER	
TEMPERATURE RANGE	-40°C TO 105°C
THERMAL SHOCK	GJB 360A-96-107
VIBRATION	GJB 360A-96-201/204
SALT SPRAY TEST	GJB 360A-96-101

* CUSTOMER OUTLINE DRAWING

UNLESS OTHERWISE SPECIFIED:
 1) EDGES : C0.15 MAX ;
 2) REMOVE ALL BURRS ;
 3) SURFACE ROUGHNESS : Ra1.6 ;
 4) UNITS : mm ;
 5) DIMENSIONS TOLERANCES
 DECIMALS : .x ±0.3 .xx ±0.2 .xxx±0.1;
 ANGLES : ± 5°.

THIRD ANGLE PROJECTION	
APPROVED :	CUSTOMER P/N :
CHECKED :	SCALE : 1 : 1
DRAWING :	DATE : 2023-10-24
PAGE : 1/1	

TITLE : FAKRA CONNECTOR (FOR RG-316, RG174 CABLE)
 DRAWING NO. : 5FKF1IS-A02-001
 COMPANY WEBSITE : www.slkcorp.com